

Adjustable Low Differential Pressure Switch (Model 241)

Function

As an electric switch for pressure operations, the differential pressure switch has functions for monitoring air, non-combustible and non-corrosive gases, measuring differential pressure, gauge pressure and vacuum negative pressure, etc.

Performance specification

Measurement range	20–200Pa (0.08–0.8in.W.C.)	40–400Pa (0.16–1.6in.W.C.)	200–1000Pa (0.8–4.0in.W.C.)	500–2500Pa (2.0–10.0in.W.C.)
Accuracy	≤ ±20%	≤ ±15%	≤ ±15%	≤ ±15%
	It will be improved for fixed pressure setpoint			
Switching differential	10Pa	20Pa	100Pa	150Pa
The max. operating pressure	10KPa for all pressure ranges			
Burst pressure	100KPa			
Medium	Air, non-flammable gases or non-corrosive gases			
Life cycle	1 M			
Installation direction effect	The differential pressure switch should be subject to vertical installation. If it is subject to horizontal installation, it will have the following impact on the switching point; With cover facing upwards: Switching point is 20 Pa higher than scale.			

Environmental parameters

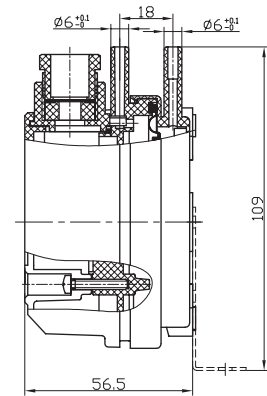
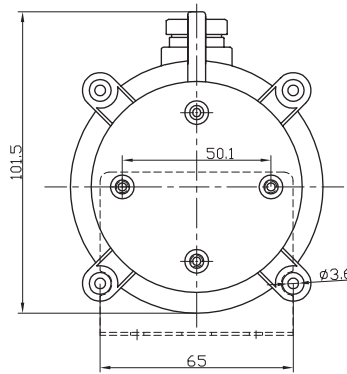
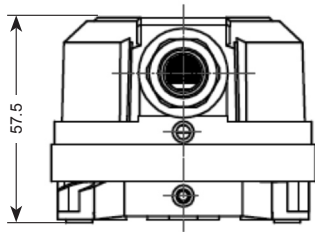
Medium temperature	–20 °C to 85 °C
Storage temperature	–40 °C to 85 °C
Ambient condition	Temp. –20 °C to 85 °C and humidity <90% RH (without condensation)
Protection standard	IP 54
Certification	ROHS/CE according to EC Low Voltage Directive 73/23/EEC
Shell Material	Base: PA66; Hood: Transparent PC3001;Upper cover: POM
Pressure connection	All the installation accessories will be provided in the package. The plastic connecting pipe OD is Φ6mm, 2m PVC hose ID is Φ5mm and OD of 241 is Φ6mm
Electric connection	3 terminal screws
Cable conduit	PG 11 or M20x1.5 cable gland
Weight	140g
Type of Contact	SPDT
Electrical rating	Max. 1.5 A (0.4 A)(250 VAC)
Reset	Automatic
Contact resistance	< 400 mΩ
Accessories in the package	L-shaped metal support 2 plastic connecting pipes 2m PVC hose Screws



Typical applications

- Air-conditioners and clean rooms;
- Building Automation;
- Air filter/ventilation and fan flow control;
- Fluid and liquid level control;
- Gas-flow rate control;
- Overheat protection of heating coils;
- Protection against frost for the industrial cooling circuits;

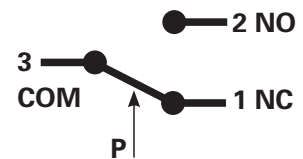
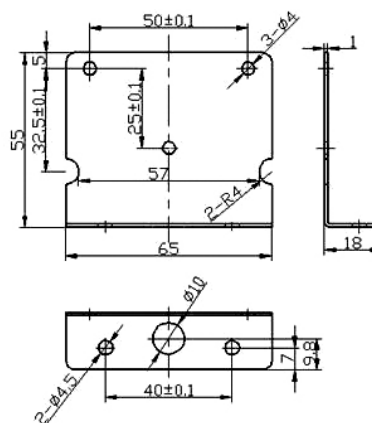
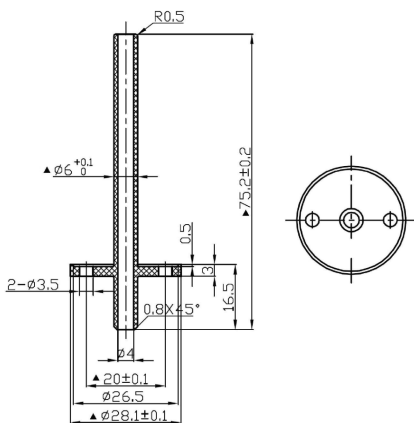
Dimensions







Dimensions of the connecting pipe

L-shaped metal support

Electrical connection diagram



Ordering information

 Model 2411= 241	 Pressure range MR1= 20–200Pa MR2= 40–400Pa MR3= 200Pa–1000Pa MR4= 500–2500Pa MR5= Fixed pressure set point	 Display unit PA=Pa IN=Pa & in WC	 Cable conduit CP=PG11 CM=M20 x 1.5
--	---	--	--

Danaher Sensors & Controls Group

Shanghai Office

Add: Rm 502, Building 6, 280 Linhong Road, Changning District, Shanghai
 Post code: 200335
 Consulting telephone: 400 666 1802
 Tel: +86 21 61289866
 Fax: +86 21 61289877

Beijing Office

Add: Rm 2206, SCITECH Tower, 22 Jian Guo Men Wai Street, Beijing
 Post code: 100004
 Consulting telephone: 400 666 1802
 Tel: +86 10 65120195
 Fax: +86 10 65150506

Guangzhou Office

Add: Block G, 19F, Goldsun Building, 109 Tiyu West Road, Guangzhou
 Post code: 510620
 Consulting telephone: 400 666 1802
 Tel: +86 20 22646071
 Fax: +86 20 22646070

Tianjin Office

Add: 28 Wei Wu Road, TEDA Micro-electronics Industrial Park, Xiqing District, Tianjin
 Post code: 300385
 Consulting telephone: 400 666 1802
 Tel: +86 22 83988098
 Fax: +86 22 8398809

E-mail: setra.sales@danaher.com

Chinese-language web site: www.setra.com.cn