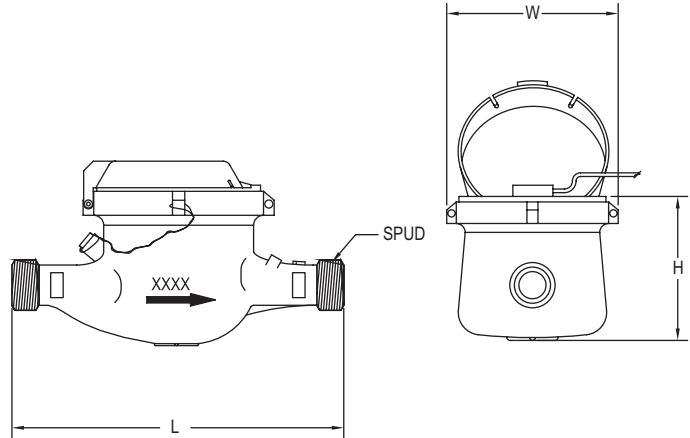


MULTI-JET NSF CERTIFIED BRASS BODY WATER METER

NSF Certified, Lead Free, Economical



Size in (mm)	Spud NPSM (BSPP)	Length 'L' in (mm)	Width 'W' in (mm)	Height 'H' in (mm)	Weight lb (kg)
5/8 x 1/2 (15)	3/4" (3/4")	7-31/64(190)	3-45/64 (94)	4-15/64 (107.5)	3.58 (1.63)
5/8 x 3/4 (15)	1" (1")	7-31/64(190)	3-45/64 (94)	4-15/64 (107.5)	3.81 (1.73)
3/4 (20)	1" (1")	10-1/4 (260)	3-55/64 (98)	4-5/8 (117.5)	6.02 (2.73)
1 (25)	1-1/4" (1-1/4")	10-1/4(260)	3-55/64 (98)	4-5/8 (117.5)	6.02 (2.73)
1-1/2 (40)	2" (2")	11-13/16 (300)	4-51/64 (122)	4-5/8 (117.5)	12.02 (5.45)
2 (50)	2-1/2" (2-1/2")	11-13/16 (300)	5-45/64 (145)	5-9/16 (141.5)	13.23 (6)

The **SERIES WNT** Multi-Jet NSF Certified Water Meters is a series of mechanical, water totalizing meters that display the total water usage in gallons or m³. They are available in a range of body sizes and include NPT or BSPT couplings. Its lead free, NSF certified body is ideal for potable water applications.

FEATURES

- NSF/ANSI 61 approval makes it ideal for no lead requirements
- Multi-jet design allows for simplicity and accuracy with side flow ranges, even in low flow applications
- Magnetically driven, hermetically sealed register does not leak or fog and is completely separated from the water
- Designed for long service life and maintenance-free operation
- Integral strainer that protects meter from particulate damage
- Easy installation with included coupling adapters
- Pulsed output proportional to flow allows for remote flow totalization

APPLICATIONS

- Potable water applications
- Residential water measurement
- Remote water monitoring

SPECIFICATIONS

Service: Water.
Wetted Materials: Body: ECO BRASS®; Couplings: ECO BRASS®; Measuring Chamber: ABS Plastic.
Flow Range: See model chart.
Accuracy: Transitional Flow: ± 3%; Nominal Flow: ±1.5%.
Temperature Limit: 122°F (50° C).
Pressure Limit: 150 psi (10 bar).
Totalizing Display Maximum: See model chart.
Output Signal: Pulse output with frequency proportional to flow rate.
Pulse Options: 0.1 gal, 1 gal, 10 gal, 100 gal per pulse.
Electrical Rating: 0.01 A @ 24 VAC/DC.
Electrical Connections: Color-coded lead wires, 4.5' (1.5 m) long.
Mounting Orientation: Horizontal with register facing up.
Weight: See dimension chart.
Agency Approvals: CE, NSF.

MODEL CHART

Model	Size	Coupling Size	GPM (Gallons Per Minute)			Display Max (Gallons)	Pulse Rate (Gal/Pulse)
			Max Flow	Nominal Flow Range	Transitional Flow		
WNT-A-C-01	5/8" x 1/2"	1/2" NPT	20	1 to 20	0.25	9,999,999.99	0.1
WNT-A-C-02	5/8" x 3/4"	3/4" NPT	20	1 to 20	0.25	9,999,999.99	0.1
WNT-A-C-05	3/4" x 1"	1" NPT	30	2 to 30	0.5	9,999,999.99	0.1
WNT-A-C-06	1"	1" NPT	50	3 to 50	0.75	9,999,999.99	0.1
WNT-A-C-07-1	1-1/2"	1-1/2" NPT	100	5 to 100	1.25	9,999,999.9	1
WNT-A-C-08-1	2"	2" NPT	160	8 to 160	2	9,999,999.9	1

USA: California Proposition 65
 ⚠ WARNING: Cancer and Reproductive Harm - www.P65Warnings.ca.gov

ECO BRASS® is a registered trademark patent by Mitsubishi Shindoh