



Series PPM Pulse Panel Meter Instruction Manual



- Pulse, Open Collector, NPN, PNP, TTL, Switch Contact, Sine Wave (Coil), Square Wave Inputs
- Gate Function for Rate Display of Slow Pulse Rates
- NEMA 4X, IP65 Front
- Universal 85-265 VAC, or 12/24 VDC Input Power Models
- Large Dual-Line 6-Digit Display, 0.60" & 0.46"
- Isolated 24 VDC Transmitter Power Supply
- Programmable Displays & Function Keys
- Sunlight Readable Display Models
- Rate Displayed as Units per Second, Minute, Hour, or Day
- Total, Grand Total or Non-Resettable Grand Total
- 9-Digit Totalizer with Total Overflow Feature
- K-Factor Calibration or Scale with up to 32-Point Linearization
- 2 or 4 Relays + Isolated 4-20 mA Output for Rate/Total/Grand Total
- External 4-Relays & Digital I/O Expansion Modules
- RS-232 & RS-485 Serial Communication Options
- Modbus[®] RTU Communication Protocol Standard
- Configure, Monitor, and Datalog from a PC with Free Panel Meter Pro Software

DWYER INSTRUMENTS, INC.
PO Box 373 • Michigan City IN 46360 USA

Phone: (800) 872-9141
Fax: (219) 872-9057
www.dwyer-inst.com

Disclaimer

The information contained in this document is subject to change without notice. Dwyer Instruments, Inc. makes no representations or warranties with respect to the contents hereof; and specifically disclaims any implied warranties of merchantability or fitness for a particular purpose.



CAUTION: *Read complete instructions prior to installation and operation of the meter.*



WARNING: *Risk of electric shock or personal injury.*

**WARNING:**

This product is not recommended for life support applications or applications where malfunctioning could result in personal injury or property loss. Anyone using this product for such applications does so at his/her own risk. Dwyer Instruments, Inc. shall not be held liable for damages resulting from such improper use.

Limited Warranty

Dwyer Instruments, Inc. warrants this product against defects in material or workmanship for the specified period under “Specifications” from the date of shipment from the factory. Dwyer Instruments, Inc.’s liability under this limited warranty shall not exceed the purchase value, repair, or replacement of the defective unit.

Registered Trademarks

All trademarks mentioned in this document are the property of their respective owners.

© 2009-2012 Dwyer Instruments, Inc. All rights reserved.

www.dwyer-inst.com

Table of Contents

INTRODUCTION	7
ORDERING INFORMATION	8
SPECIFICATIONS	9
General	9
Rate Input	10
Rate/Totalizer	11
Relays	13
Isolated 4-20 mA Transmitter Output	14
Modbus® RTU Serial Communications	15
PMA-12 Digital Input & Output Expansion Module	15
COMPLIANCE INFORMATION	16
Safety	16
Electromagnetic Compatibility	16
SAFETY INFORMATION	17
INSTALLATION	18
Unpacking	18
Panel Mounting Instructions	18
Configuration for 12 or 24 VDC Power Option	20
Transmitter Supply Voltage Selection (P+, P-)	21
Connections	21
Connectors Labeling	22
Power Connections	22
Signal Connections	23
Modbus RTU Serial Communications	25
Relay Connections	25
Switching Inductive Loads	26
F4 Digital Input Connections	27
4-20 mA Output Connections	27
Analog Output Transmitter Power Supply	27
External Relay & Digital I/O Connections	28
Interlock Relay Feature	29
SETUP AND PROGRAMMING	30
Front Panel Buttons and Status LED Indicators	31
Display Functions and Messages	32
Main Menu	36
Setting Numeric Values	37
Setting Up the Rate/Totalizer Meter (SEtUP)	38
Setting the Input Signal (InPULt)	39

Setting the Totalizer Features (t _o tRL)	39
Setting the Input Units or Custom Tags (u _n t5)	40
Setting the Decimal Point (dEc Pt)	41
Programming the Rate/Totalizer (Pr _o g)	41
K-Factor Calibration (FRct _o r)	42
Multi-Point Calibration & Scaling	42
Panel Meter Pro Software	42
Scaling the Meter (ScRL _E)	43
Gate Function (GRL _E)	44
Contact De-Bounce Filter (F _i l _t Er)	45
Time Base, Total Conversion Factor & Total Reset	46
Calibrating the Meter with External Source (CRL)	47
Setting the Display Parameter & Intensity (dSP _L RY)	48
Display Setup Menu	49
Setting the Relay Operation (rELRY)	50
Relay Assignment (R55 i _u n)	51
Setting the Relay Action	52
Programming Set and Reset Points	53
Setting Fail-Safe Operation	53
Programming Time Delay	53
Relay and Alarm Operation Diagrams	54
High Alarm Operation (Set > Reset)	54
Low Alarm Operation (Set < Reset)	55
High Alarm with Fail-Safe Operation (Set > Reset)	56
Low Alarm with Fail-Safe Operation (Set < Reset)	57
Alternation Control Operation	58
Rate Relay Sampling Operation	59
Total Relay Sampling Operation	59
Time Delay Operation	60
Relay Operation Details	61
Overview	61
Relays Auto Initialization	61
Fail-Safe Operation	61
Front Panel LEDs	62
Latching and Non-Latching Relay Operation	62
Non-Latching Relay (R _u l _t a)	63
Non-Latching Relay (R ₋ n _r R _n)	63
Latching Relay (LR _l cH)	63
Latching Relay (L _t -C _L r)	64
Acknowledging Relays	64
Setting Up the Interlock Relay (Force On) Feature	65
Scaling the 4-20 mA Analog Output (R_ou_t)	66
Reset Menu (rESEt)	67

Control Menu (Control) -----	67
Setting Up the Password (PASS) -----	68
Protecting or Locking the Meter-----	68
Total Reset Password & Non-Resettable Total-----	69
Making Changes to a Password Protected Meter-----	70
Disabling Password Protection-----	70
Advanced Features Menu -----	71
Advanced Features Menu & Display Messages-----	72
Rounding Feature (round)-----	75
Modbus RTU Serial Communications (SERIAL)-----	75
Select Menu (SELECT)-----	76
Signal Input Conditioning (FUNCTION)-----	76
Multi-Point Linearization (LINEAR)-----	77
Low-Flow Cutoff (LOWOFF)-----	78
Analog Output Programming (ANALOUT)-----	78
Programmable Function Keys User Menu (USER)-----	79
Meter Copy Function (COPY)-----	80
METER OPERATION -----	82
Front Panel Buttons Operation -----	82
Function Keys Operation -----	82
F4 Operation -----	83
Maximum/Minimum Readings -----	83
TROUBLESHOOTING -----	84
Diagnostics Menu (diAG) -----	84
Determining Software Version-----	84
Reset Meter to Factory Defaults -----	85
Factory Defaults & User Settings-----	86
Troubleshooting Tips -----	89
Alphabetical List of Display Functions & Messages -----	90

Table of Figures

Figure 1: 1/8 DIN Panel Cutout and Mounting.....	18
Figure 2: Meter Dimensions - Side View.....	19
Figure 3: Meter Dimensions - Top View.....	19
Figure 4: Jumper Configuration for 12/24 VDC Power.....	20
Figure 5: Transmitter Supply Voltage Selection.....	21
Figure 6: Connector Labeling for Fully Loaded PPM.....	22
Figure 7: Power Connections.....	22
Figure 8: Flowmeter Powered by Internal Power Supply.....	23
Figure 9: Flowmeter Powered by External Supply.....	23
Figure 10: Self-Powered Magnetic Pickup Coil Flowmeter.....	23
Figure 11: Relay Connections.....	25
Figure 12: AC and DC Loads Protection.....	26
Figure 13: Low Voltage DC Loads Protection.....	26
Figure 14: F4 Digital Input Connections.....	27
Figure 15: 4-20 mA Output Connections.....	27
Figure 16: Expansion Modules & DIN Rail Mounting Kit.....	28
Figure 17: External Relays Module Connections.....	28
Figure 18: Digital I/O Module Connections.....	29
Figure 19: Interlock Connections.....	29
Figure 20: Acknowledge Relays w/Function Key or Digital Input... 64	
Figure 22: 1/8 DIN Panel Cutout Template.....	97

INTRODUCTION

The PPM is a multipurpose, easy to use pulse rate/totalizer ideal for flow rate, total, and control applications. It accepts pulse (e.g. ± 40 mV to ± 8 V), square wave (0-5 V, 0-12 V, or 0-24 V), open collector, NPN, PNP, TTL or switch contact signals. Three of the front panel buttons can be custom-programmed for specific operation.

The basic model includes an isolated 24 VDC transmitter power supply that can be used to power the input transmitter or other devices. An additional isolated 24 VDC power supply is included with the 4-20 mA output option. A digital input is standard.

A fully loaded PPM pulse rate/totalizer meter has the following: four SPDT relays, 4-20 mA output, and two 24 VDC power supplies. The PPM capabilities may be enhanced by adding the following external expansion modules: four SPST relays (creating an eight-relay rate/totalizer), two digital I/O modules with four inputs and four outputs each, and RS-232 or RS-485 communication adapters.

The eight relays can be used for alarm indication or process control applications. The 4-20 mA isolated output, Modbus RTU serial communications, and digital I/O options make the PPM an excellent addition to any system.

ORDERING INFORMATION

85-265 VAC* Model	12/24 VDC* Model	Options Installed
PPM-100	PPM-200	No options
PPM-101	PPM-201	4-20 mA output
PPM-120	PPM-220	2 relays
PPM-121	PPM-221	2 relays & 4-20 mA output
PPM-140	PPM-240	4 relays
PPM-141	PPM-241	4 relays & 4-20 mA output
*All models may be powered from AC or DC, see Specifications for details.		

Accessories

Model	Description
PMA-01	RS-232 serial adapter
PMA-02	Meter copy cable
PMA-03	RS-422/485 serial adapter
PMA-04	RS-232 to RS-422/485 isolated converter
PMA-05	RS-232 to RS-422/485 non-isolated converter
PMA-06	USB to RS-232 non-isolated converter
PMA-07	USB to RS-422/485 isolated converter
PMA-08	USB to RS-422/485 non-isolated converter
PMA-10	DIN rail mounting kit for two expansion modules
PMA-11	4 SPST (Form A) relays
PMA-12	4 digital inputs & 4 digital outputs (2 may be connected)
PMA-13	Suppressor (snubber): 0.01 μ F/470 Ω , 250 VAC

SPECIFICATIONS

Except where noted all specifications apply to operation at +25°C.

General

DISPLAY	Upper display: 0.6" (15 mm) high, red LEDs Lower display: 0.46" (12 mm) high, red LEDs 6 digits: each (-99999 to 999999), with lead zero blanking.
DISPLAY INTENSITY	Eight user selectable intensity levels
DISPLAY UPDATE RATE	Rate: 10 per second; up to 1 per 100 seconds (and is a function of Low Gate setting) Total: 10 per second (fixed)
OVERRANGE	Display flashes 999999
DISPLAY ASSIGNMENT	The Upper and Lower displays may be assigned to rate, total, grand total, alternate rate & total, max/min, units (lower display only), set points, Modbus input, & more.
PROGRAMMING METHODS	Four front panel buttons, digital inputs, PC and Panel Meter Pro software, Modbus registers, or cloning using Copy function.
RECALIBRATION	All ranges are calibrated at the factory to read frequency in Hz. No recalibration required.
MAX/MIN DISPLAY	Max/min readings reached by the process are stored until reset by the user or until power to the meter is cycled.
PASSWORD	Three programmable passwords restrict modification of programmed settings and two prevent resetting the totals. Pass 1: Allows use of function keys and digital inputs Pass 2: Allows use of function keys, digital inputs and editing set/reset points Pass 3: Restricts all programming, function keys, and digital inputs. Total: Prevents resetting the total manually Gtotal: Prevents resetting the grand total manually
NON-VOLATILE MEMORY	All programmed settings are stored in non-volatile memory for a minimum of ten years if power is lost.
POWER OPTIONS	85-265 VAC 50/60 Hz, 90-265 VDC, 20 W max or jumper selectable 12/24 VDC \pm 10%, 15 W max
FUSE	Required external fuse: UL Recognized, 5 A max, slow blow; up to 6 meters may share one 5 A fuse
ISOLATED TRANSMITTER POWER SUPPLY	Terminals P+ & P-: 24 VDC \pm 10%. 12/24 VDC powered models selectable for 24, 10, or 5 VDC supply (internal jumper J4). 85-265 VAC models rated @ 200 mA max, 12/24 VDC powered models rated @ 100 mA max, @ 50 mA max for 5 or 10 VDC supply.

ISOLATION	4 kV input/output-to-power line 500 V input-to-output or output-to-P+ supply
OVERVOLTAGE CATEGORY	Installation Overvoltage Category II: Local level with smaller transient overvoltages than Installation Overvoltage Category III.
ENVIRONMENTAL	Operating temperature range: -40 to 65°C Storage temperature range: -40 to 85°C Relative humidity: 0 to 90% non-condensing
CONNECTIONS	Removable screw terminal blocks accept 12 to 22 AWG wire, RJ45 for external relays, digital I/O, and serial communication adapters.
ENCLOSURE	1/8 DIN, high impact plastic, UL 94V-0, color: black
MOUNTING	1/8 DIN panel cutout required: 3.622" x 1.772" (92 mm x 45 mm) Two panel mounting bracket assemblies are provided.
TIGHTENING TORQUE	Screw terminal connectors: 5 lb-in (0.56 Nm)
OVERALL DIMENSIONS	4.68" x 2.45" x 5.64" (119 mm x 62 mm x 143 mm) (W x H x D)
WEIGHT	9.5 oz (269 g)
WARRANTY	3 years parts & labor


Rate Input

INPUTS	Field selectable: Pulse or square wave 0-5 V, 0-12 V, or 0-24 V @ 30 kHz; TTL; open collector 4.7 k Ω pull-up to 5 V @ 30 kHz; NPN or PNP transistor, switch contact 4.7 k Ω pull-up to 5 V @ 40 Hz; Modbus PV (Slave)
LOW VOLTAGE MAG PICKUP (Isolated)	Sensitivity: 40 mVp-p to 8Vp-p
MINIMUM INPUT FREQUENCY	0.001 Hz Minimum frequency is dependent on high gate setting.
MAXIMUM INPUT FREQUENCY	30,000 Hz (10,000 for low voltage mag pickup)
INPUT IMPEDANCE	Pulse input: Greater than 300 k Ω @ 1 kHz. Open collector/switch input: 4.7 k Ω pull-up to 5 V.
ACCURACY	$\pm 0.03\%$ of calibrated span ± 1 count
TEMPERATURE DRIFT	Rate display is not affected by changes in temperature.
MULTI-POINT LINEARIZATION	2 to 32 points

LOW-FLOW CUTOFF	0-999999 (0 disables cutoff function)
DECIMAL POINT	Up to five decimal places or none: <i>dddddd, ddddd, dddd, ddd, dd, or dddddd</i>
CALIBRATION	May be calibrated using K-factor, internal calibration, or by applying an external calibration signal.
K-FACTOR	Field programmable K-factor converts input pulses to rate in engineering units. May be programmed from 0.00001 to 999,999 pulses/unit.
CALIBRATION RANGE	Input 1 signal may be set anywhere in the range of the meter; input 2 signal may be set anywhere above or below input 1 setting. Minimum input span between any two inputs is 10 Hz. An error message will appear if the input 1 and input 2 signals are too close together.
FILTER	Programmable contact de-bounce filter: 40 to 999 Hz maximum input frequency allowed with low speed filter.
TIME BASE	Second, minute, hour, or day
GATE	Low gate: 0.1-99.9 seconds High gate: 2.0-999.9 seconds
F4 DIGITAL INPUT CONTACTS	3.3 VDC on contact. Connect normally open contacts across F4 to COM.
F4 DIGITAL INPUT LOGIC LEVELS	Logic High: 3 to 5 VDC Logic Low: 0 to 1.25 VDC

Rate/Totalizer

DISPLAY ASSIGNMENT	The Upper and Lower displays may be assigned to rate, total, grand total, alternate rate/total, alternate rate/grand total, set points, alternate rate/units, alternate total/units, alternate grand total/units, display Hi, display Lo, display Hi/Lo, display modbus, display units (lower display) and display Off (lower display).
RATE DISPLAY INDICATION	-99999 to 999999, lead zero blanking. "R" LED illuminates while displaying rate or frequency.
TOTAL DISPLAY & TOTAL OVERFLOW	0 to 999,999; automatic lead zero blanking. "T" LED is illuminated while displaying total or grand total. Up to 999,999,999 with total-overflow feature. "OF" is displayed to the left of total overflow and ▲ LED is illuminated.
ALTERNATING DISPLAY	Either display may be programmed to alternate between rate and total or rate and grand total every 10 seconds.

TOTAL DECIMAL POINT	Up to five decimal places or none: <i>d.ddddd, d.ddddd, d.ddd, d.dd, d.d, or d</i> Total decimal point is independent of rate decimal point.
TOTALIZER	Calculates total based on rate and field programmable multiplier to display total in engineering units. Time base must be selected according to the time units in which the rate is displayed.
TOTALIZER ROLLOVER	Totalizer rolls over when display exceeds 999,999,999. Relay status reflects display.
TOTAL OVERFLOW OVERRIDE	Program total reset for automatic with 0.1 second delay and set point 1 for 999,999
TOTALIZER PRESETS	Up to eight, user selectable under setup menu. Any set point can be assigned to total and may be programmed anywhere in the range of the meter for total alarm indication.
PROGRAMMABLE DELAY ON RELEASE	0.1 and 999.9 seconds; applied to the first relay assigned to total or grand total. If the meter is programmed to reset total to zero automatically when the preset is reached, then a delay will occur before the total is reset.
TOTAL RESET	Via front panel button, external contact closure on digital inputs, automatically via user selectable preset value and time delay, or through serial communications.
TOTAL RESET PASSWORD	Total and grand total passwords may be entered to prevent resetting the total or grand total from the front panel.
NON-RESETTABLE TOTAL	The grand total can be programmed as a non-resettable total by entering the password "050873".  Caution! <i>Once the Grand Total has been programmed as "non-resettable" the feature cannot be disabled.</i>

Relays

RATING	2 or 4 SPDT (Form C) internal and/or 4 SPST (Form A) external; rated 3 A @ 30 VDC and 125/250 VAC resistive load; 1/14 HP (\approx 50 W) @ 125/250 VAC for inductive loads
NOISE SUPPRESSION	Noise suppression is recommended for each relay contact switching inductive loads; see page 26 for details.
RELAY ASSIGNMENT	Relays may be assigned to rate, total, or grand total.
DEADBAND	0-100% of span, user programmable
HIGH OR LOW ALARM	User may program any alarm for high or low trip point. Unused alarm LEDs and relays may be disabled (turn off).
RELAY OPERATION	Automatic (non-latching) Latching (requires manual acknowledge) Sampling (based on time) Alternation control (2 to 8 relays) Off (disable unused relays and enable Interlock feature) Manual on/off control mode
RELAY RESET	User selectable via front panel buttons, digital inputs, or PC <ol style="list-style-type: none"> 1. Automatic reset only (non-latching), when the input passes the reset point or total is reset to zero. 2. Automatic + manual reset at any time (non-latching) 3. Manual reset only, at any time (latching) 4. Manual reset only after alarm condition has cleared (Latching with clear) <p><i>Note: Front panel button or digital input may be assigned to acknowledge relays programmed for manual reset.</i></p>
TIME DELAY	0 to 999.9 seconds, on & off relay time delays Programmable and independent for each relay.
FAIL-SAFE OPERATION	Programmable and independent for each relay. <i>Note: Relay coil is energized in non-alarm condition. In case of power failure, relay will go to alarm state.</i>
AUTO INITIALIZATION	When power is applied to the meter, relays will reflect the state of the input to the meter.

Isolated 4-20 mA Transmitter Output

OUTPUT SOURCE	Rate/process, total, grand total, max, min, set points 1-8, Modbus input or manual control mode		
SCALING RANGE	1.000 to 23.000 mA for any display range.		
CALIBRATION	Factory calibrated: 0.0 to 1000.0 = 4-20 mA output		
ANALOG OUT PROGRAMMING	23.000 mA maximum for all parameters: Overrange, underrange, max, min, and break		
ACCURACY	$\pm 0.1\%$ FS ± 0.004 mA		
TEMPERATURE DRIFT	0.4 $\mu\text{A}/^\circ\text{C}$ max from 0 to 65°C ambient, 0.8 $\mu\text{A}/^\circ\text{C}$ max from -40 to 0°C ambient <i>Note: Analog output drift is separate from input drift.</i>		
ISOLATED TRANSMITTER POWER SUPPLY	Terminals I+ & R: 24 VDC $\pm 10\%$. May be used to power the 4-20 mA output or other devices. Refer to Figure 6 on page 22 and Figure 15 on page 27. All models rated @ 40 mA max.		
EXTERNAL LOOP POWER SUPPLY	35 VDC maximum		
OUTPUT LOOP RESISTANCE	Power supply	Minimum	Maximum
	24 VDC	10 Ω	700 Ω
	35 VDC (external)	100 Ω	1200 Ω

Modbus® RTU Serial Communications

SLAVE ID	1 – 247 (Meter address)
BAUD RATE	300 - 19,200 bps
TRANSMIT TIME DELAY	Programmable between 0 and 199 ms
DATA	8 bit (1 start bit, 1 or 2 stop bits)
PARITY	Even, Odd, or None with 1 or 2 stop bits
BYTE-TO-BYTE TIMEOUT	0.01 – 2.54 second
TURN AROUND DELAY	Less than 2 ms (fixed)

Note: Refer to the Modbus Register Tables located at www.dwyer-inst.com for details.

PMA-12 Digital Input & Output Expansion Module

CHANNELS	4 digital inputs & 4 digital outputs per module
SYSTEM	Up to 2 modules for a total of 8 inputs & 8 outputs
DIGITAL INPUT LOGIC HIGH	3 to 5 VDC
DIGITAL INPUT LOGIC LOW	0 to 1.25 VDC
DIGITAL OUTPUT LOGIC HIGH	3.1 to 3.3 VDC
DIGITAL OUTPUT LOGIC LOW	0 to 0.4 VDC
SOURCE CURRENT	10 mA maximum output current
SINK CURRENT	1.5 mA minimum input current
+5 V TERMINAL	To be used as pull-up for digital inputs only. Connect normally open contacts across +5 V & DI 1-4.

COMPLIANCE INFORMATION

Safety

UL & c-UL LISTED	USA & Canada UL 508 Industrial Control Equipment
UL FILE NUMBER	E212517
FRONT PANEL	UL Type 4X, NEMA 4X, IP65; panel gasket provided
LOW VOLTAGE DIRECTIVE	EN 61010-1:2001 Safety requirements for measurement, control, and laboratory use

Electromagnetic Compatibility

EMISSIONS	EN 55022:2006/A1:2007 Class A ITE emissions requirements
Radiated Emissions	Class A
AC Mains Conducted Emissions	Class A
IMMUNITY	EN 61326-1:2006 Measurement, control, and laboratory equipment EN 61000-6-2:2005 EMC heavy industrial generic immunity standard
RFI - Amplitude Modulated	80 -1000 MHz 10 V/m 80% AM (1 kHz) 1.4 - 2.0 GHz 3 V/m 80% AM (1 kHz) 2.0 - 2.7 GHz 1 V/m 80% AM (1 kHz)
Electrical Fast Transients	±2kV AC mains, ±1kV other
Electrostatic Discharge	±4kV contact, ±8kV air
RFI - Conducted	10V, 0.15-80 MHz, 1kHz 80% AM
AC Surge	±2kV Common, ±1kV Differential
Surge	1KV (CM)
Power-Frequency Magnetic Field	3 A/m 70%V for 0.5 period
Voltage Dips	40%V for 5 & 50 periods 70%V for 25 periods
Voltage Interruptions	<5%V for 250 periods

Note:

Testing was conducted on PPM meters installed through the covers of grounded metal enclosures with cable shields grounded at the point of entry representing installations designed to optimize EMC performance.

Declaration of Conformity available at www.dwyer-inst.com

SAFETY INFORMATION

CAUTION: *Read complete instructions prior to installation and operation of the meter.*



WARNING: *Risk of electric shock or personal injury.*



Warning!

Hazardous voltages exist within enclosure. Installation and service should be performed only by trained service personnel.

INSTALLATION

There is no need to remove the meter from its case to complete the installation, wiring, and setup of the meter for most applications. Instructions are provided for setting up a 12/24 VDC powered meter to operate from 12 VDC and for changing the transmitter power supply to output 5 or 10 VDC instead of 24 VDC, see page 20.

Unpacking

Remove the meter from box. Inspect the packaging and contents for damage. Report damages, if any, to the carrier.

If any part is missing or the meter malfunctions, please contact your supplier or the factory for assistance.

Panel Mounting Instructions

- Prepare a standard 1/8 DIN panel cutout – 3.622" x 1.772" (92 mm x 45 mm). Refer to Figure 1 for more details.
- Clearance: allow at least 6.0" (152 mm) behind the panel for wiring.
- Panel thickness: 0.04" - 0.25" (1.0 mm - 6.4 mm).
Recommended minimum panel thickness to maintain Type 4X rating: 0.06" (1.5 mm) steel panel, 0.16" (4.1 mm) plastic panel.
- Remove the two mounting brackets provided with the meter (back-off the two screws so that there is 1/4" (6.4 mm) or less through the bracket. Slide the bracket toward the front of the case and remove).
- Insert meter into the panel cutout.
- Install mounting brackets and tighten the screws against the panel. To achieve a proper seal, tighten the mounting bracket screws evenly until meter is snug to the panel along its short side. **DO NOT OVER TIGHTEN**, as the rear of the panel may be damaged.

Note: See Figure 21 on page 97 for 1/8 DIN Panel Cutout Template

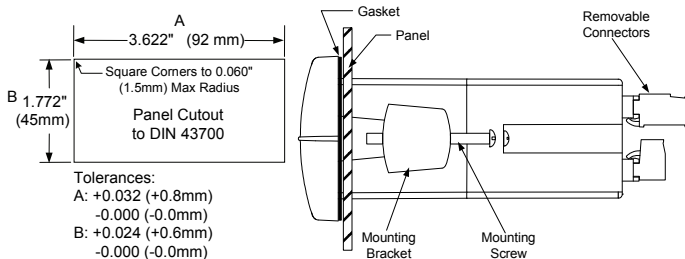


Figure 1: 1/8 DIN Panel Cutout and Mounting

Mounting Dimensions

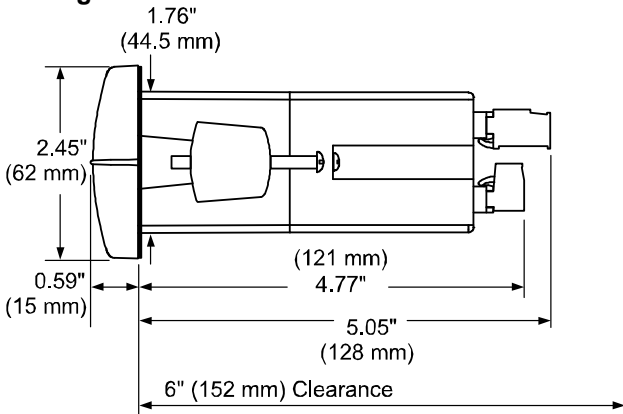


Figure 2: Meter Dimensions - Side View

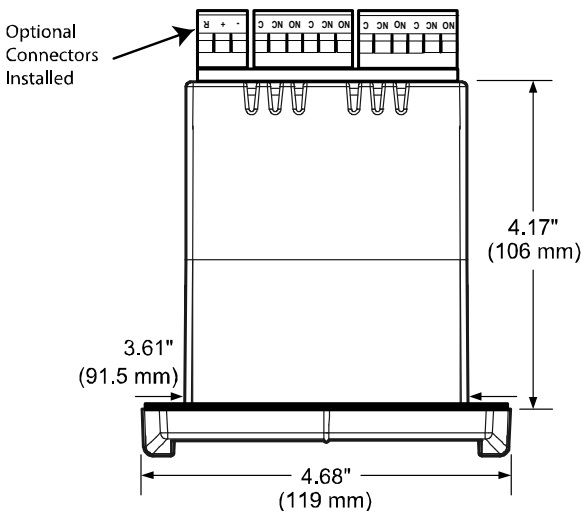


Figure 3: Meter Dimensions - Top View

Configuration for 12 or 24 VDC Power Option**Warning!**

Do not exceed voltage rating of the selected configuration.

Meters equipped with the 12/24 VDC power option are shipped from the factory ready to operate from 24 VDC.

To configure the meter for 12 VDC power:

1. Remove all the connectors.
2. Unscrew the back cover.
3. Slide the back cover about 1 inch.
4. Configure the J9 jumper, located behind the power connector, for 12 V as shown below.

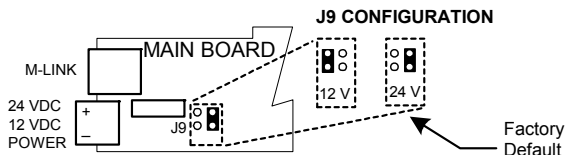


Figure 4: Jumper Configuration for 12/24 VDC Power

Transmitter Supply Voltage Selection (P+, P-)

All meters, including models equipped with the 12/24 VDC power option, are shipped from the factory configured to provide 24 VDC power for the transmitter or sensor.

If the transmitter requires 5 or 10 VDC excitation, the internal jumper J4 must be configured accordingly.

To access the voltage selection jumper:

1. Remove all the connectors.
2. Unscrew the back cover.
3. Slide the back cover about 1 inch.
4. Configure the J4 jumper, located behind the input signal connector, for the desired excitation voltage as shown.

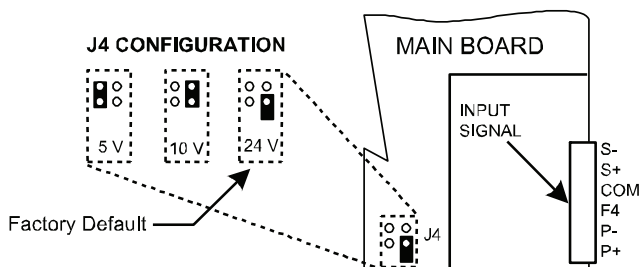


Figure 5: Transmitter Supply Voltage Selection

Connections

All connections are made to removable screw terminal connectors located at the rear of the meter.



Caution!

Use copper wire with 60°C or 60/75°C insulation for all line voltage connections. Observe all safety regulations. Electrical wiring should be performed in accordance with all applicable national, state, and local codes to prevent damage to the meter and ensure personnel safety.

Connectors Labeling

The connectors' label, affixed to the meter, shows the location of all connectors available with requested configuration.



Warning!

Do not connect any equipment other than Dwyer Instruments, Inc.'s expansion modules, cables, or meters to the RJ45 M-LINK connector. Otherwise damage will occur to the equipment and the meter.

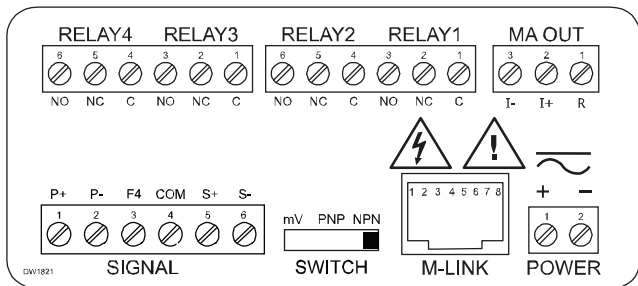
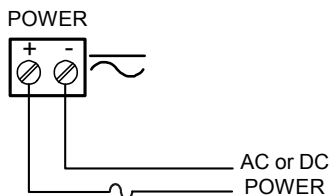


Figure 6: Connector Labeling for Fully Loaded PPM

Power Connections

Power connections are made to a two-terminal connector labeled POWER on Figure 6. The meter will operate regardless of DC polarity connection. The + and - symbols are only a suggested wiring convention.



Required External Fuse:
5 A max, 250 V Slow Blow

Figure 7: Power Connections

Signal Connections

Signal connections are made to a six-terminal connector labeled SIGNAL on Figure 6. The COM (common) terminal is the return for the input signals.

The following figures show examples of signal connections.

Setup and programming is performed through the front panel buttons.

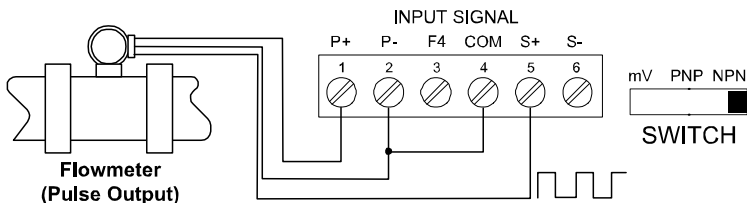


Figure 8: Flowmeter Powered by Internal Power Supply

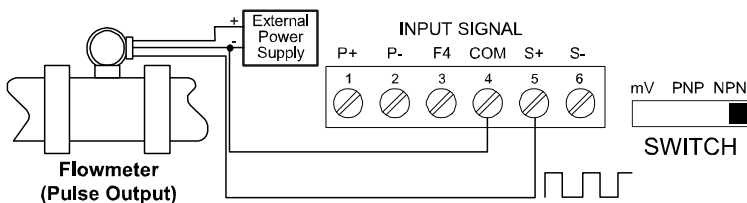


Figure 9: Flowmeter Powered by External Supply

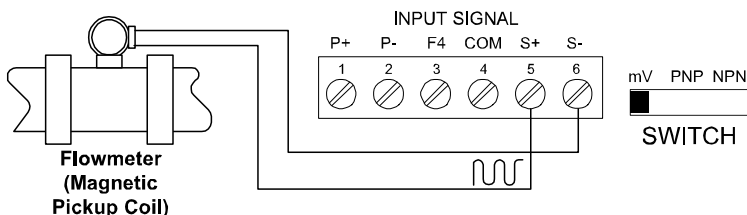


Figure 10: Self-Powered Magnetic Pickup Coil Flowmeter

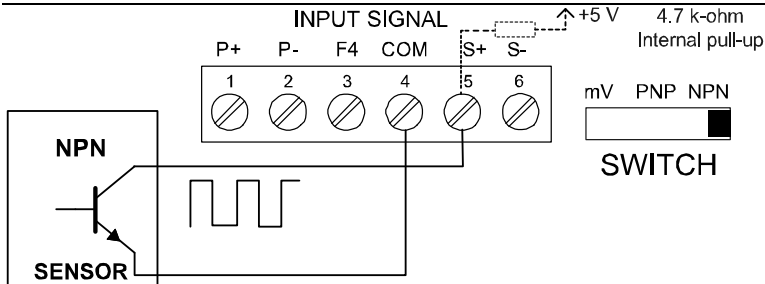


Figure 11: NPN open Collector Input

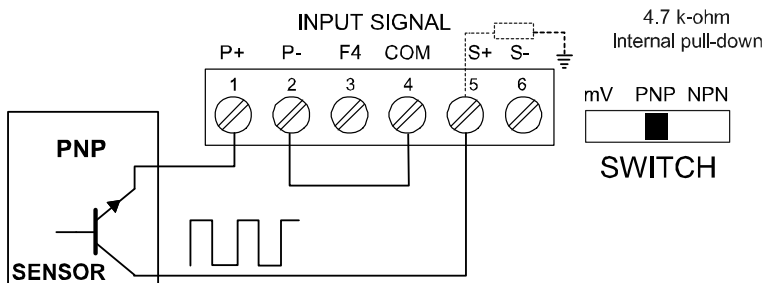


Figure 12: PNP Sensor Powered by Internal Supply

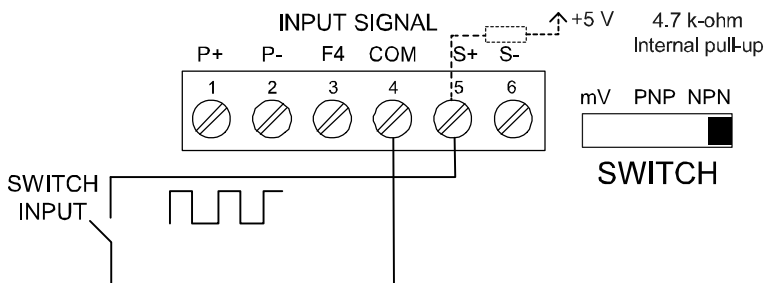


Figure 13: Switch Input Connections

Modbus RTU Serial Communications

Serial communications connection is made to an RJ45 connector labeled M-LINK on Figure 6. For interfacing to the PPM, use the PMA-01 for RS-232 or the PMA-03 for RS-485. The same port is used for interfacing with all expansion modules (e.g. external relays, digital I/O).

Use the PMA-02 meter copy cable for meter-to-meter interfacing for cloning purposes (i.e. copying settings from one meter to other meters).

Relay Connections

Relay connections are made to two six-terminal connectors labeled RELAY1 – RELAY4 on Figure 6. Each relay's C terminal is common only to the normally open (NO) and normally closed (NC) contacts of the corresponding relay. The relays' C terminals should not be confused with the COM (common) terminal of the INPUT SIGNAL connector.

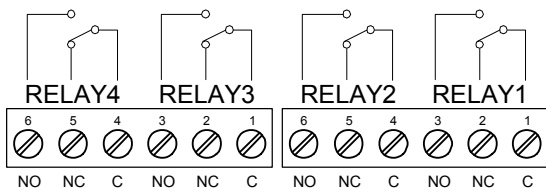


Figure 11: Relay Connections

Switching Inductive Loads

The use of suppressors (snubbers) is strongly recommended when switching inductive loads to prevent disrupting the microprocessor's operation. The suppressors also prolong the life of the relay contacts. Suppression can be obtained with resistor-capacitor (RC) networks assembled by the user or purchased as complete assemblies. Refer to the following circuits for RC network assembly and installation:

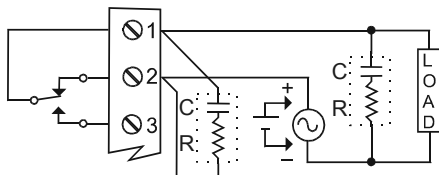


Figure 12: AC and DC Loads Protection

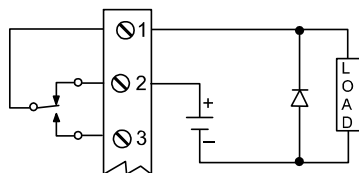
Choose R and C as follows:

R: 0.5 to 1 Ω for each volt across the contacts

C: 0.5 to 1 μF for each amp through closed contacts

Notes:

1. Use capacitors rated for 250 VAC.
2. RC networks may affect load release time of solenoid loads. Check to confirm proper operation.
3. Install the RC network at the meter's relay screw terminals. An RC network may also be installed across the load. Experiment for best results.



Use a diode with a reverse breakdown voltage two to three times the circuit voltage and forward current at least as large as the load current.

Figure 13: Low Voltage DC Loads Protection

RC Networks Available from Dwyer Instruments, Inc.

RC networks are available from Dwyer Instruments, Inc. and should be applied to each relay contact switching an inductive load. Part number: PMA-13.

Note: Relays are de-rated to 1/14th HP (50 watts) with an inductive load.

F4 Digital Input Connections

A digital input, F4, is standard on the meter. This digital input connected with a normally open closure across F4 and COM, or with an active low signal applied to F4.

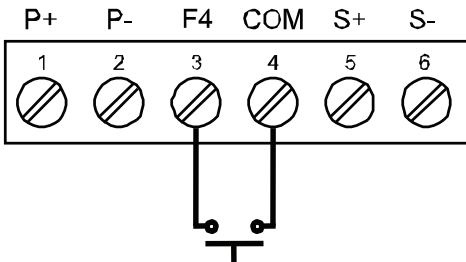


Figure 14. F4 Digital Input Connections

4-20 mA Output Connections

Connections for the 4-20 mA transmitter output are made to the connector terminals labeled MA OUT. The 4-20 mA output may be powered internally or from an external power supply.

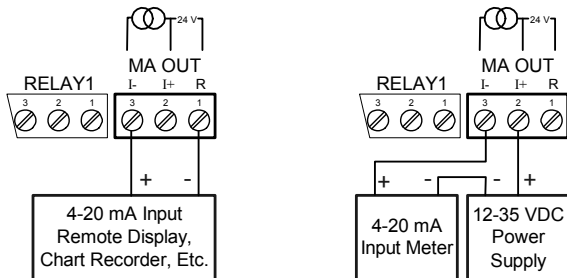


Figure 15: 4-20 mA Output Connections

Analog Output Transmitter Power Supply

The internal 24 VDC power supply powering the analog output may be used to power other devices, if the analog output is not used. The I+ terminal is the +24 V and the R terminal is the return.

External Relay & Digital I/O Connections

The relay and digital I/O expansion modules PMA-11 & PMA-12 are connected to the meter using the CAT5 cable provided with each module. The two RJ45 connectors on the expansion modules are identical and interchangeable; they are used to connect additional modules to the system.

Note: The jumper located between the RJ45 connectors of the PMA-12 must be removed on the second digital I/O module in order for the system to recognize it as module #2.



Do not connect or disconnect the expansion modules with the power on!
More detailed instructions are provided with each optional expansion module.

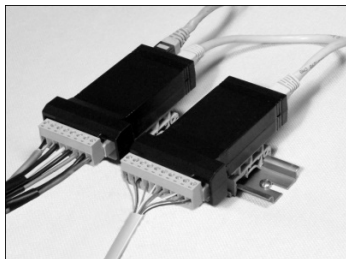


Figure 16: Expansion Modules & DIN Rail Mounting Kit

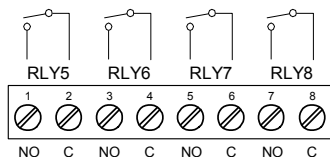


Figure 17: External Relays Module Connections

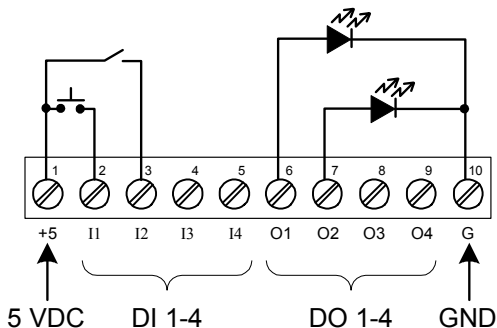


Figure 18: Digital I/O Module Connections

Interlock Relay Feature

As the name implies, the interlock relay feature reassigns one, or more, alarm/control relays for use as interlock relay(s). Interlock contact(s) are wired to digital input(s) and trigger the interlock relay. This feature is enabled by configuring the relay, and relative digital input(s) (see page 65). In one example, dry interlock contacts are connected in series to one digital input which will be used to force on (energize) the assigned interlock power relay when all interlock contacts are closed (safe). The interlock relay front panel LED flashes when locked out. The interlock relay would be wired in-series with the load (N/O contact). See below.

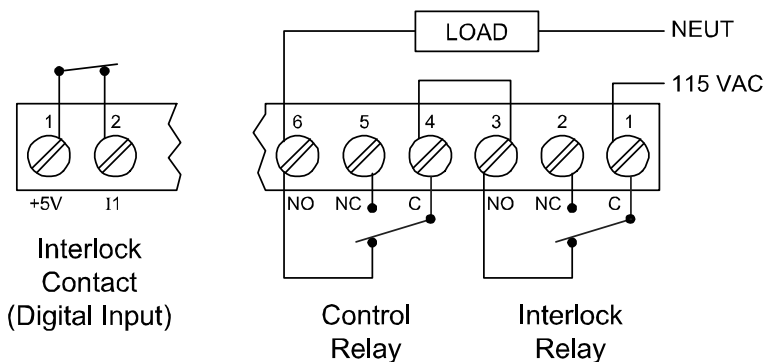


Figure 19: Interlock Connections

SETUP AND PROGRAMMING

- The meter has been factory calibrated to read input frequency in Hz (pulses/sec). The calibration equipment is certified to NIST standards.
- Use the *K-Factor* menu to match the rate/totalizer with a flowmeter's k-factor (pulse/unit of measure).
- Or use the *Scale* menu to scale the pulse input (pulse/sec) without a signal source.
- Or use *Cal* menu to calibrate the rate/totalizer using a signal source.

Overview

There are two switches, located to the right of the input connector, which must be configured according to the input level and type. Jumper J4 located inside the meter, behind the input signal connector, is used to select the excitation voltage (24 V*, 10 V or 5 V) which is supplied to the P+ and P- wiring terminals.

Setup and programming is done through the front panel buttons.

After power and input signal connections have been completed and verified, apply power to the meter.

**Default setting*

Front Panel Buttons and Status LED Indicators



Button Symbol	Description
	Menu
	Right arrow/F1
	Up arrow/F2
	Enter/F3
<p><i>Note:</i> <i>F4 is a digital input. Alarms 5-8 are enabled when relay expansion module is installed.</i></p>	

LED	Status
1-8	Alarm 1 – 8 indicator
R	Rate indicator
T	Total indicator
G T	Grand Total indicator
▲	Total overflow indicator
M	Manual control relays &/or analog output

- Press the Menu button to enter or exit the Programming Mode at any time.
- Press the Right arrow button to move to the next digit during digit or decimal point programming.
- Press or hold the Up arrow button to scroll through the menus, decimal point, or press or hold to increment the value of a digit.
- Press the Enter button to access a menu or to accept a setting.
- Press and hold the Menu button for three seconds to access the advanced features of the meter.

Display Functions and Messages

The meter displays various functions and messages during setup, programming, and operation. The following table shows the main menu functions and messages in the order they appear in the menu.

Display	Parameter	Action/Setting Description
SEtUP	Setup	Enter Setup menu
inPUt	Input	Enter Input selection menu
tOtAL	Total	Enable or disable totalizer features
un itS	Units	Select the display units/tags
rAtE	Rate	Select the display units for rate
tOtAL	Total	Select the display units for total
GrOtAL	Grand Total	Select the display units for grand total
dEc Pt	Decimal point	Set decimal point for rate, total, grand total
PRoG	Program	Enter the Program menu
inCAL	Input Calibration	Enter the Input Calibration menu
FRctOr	K-factor Scaling	Programs unit to convert input pulse to rate in engineering units
ScALe	Scale	Enter the Scale menu
CAL	Calibrate	Enter the Calibrate menu
inP 1	Input 1	Calibrate input 1 signal or program input 1 value
d iS 1	Display 1	Program display 1 value
inP 2	Input 2	Calibrate input 2 signal or program input 2 value (up to 32 points)
d iS 2	Display 2	Program display 2 value (up to 32 points)
Error	Error	Error, calibration not successful, check signal or programmed value
t tB	Total time base	Program total time base

Display	Parameter	Action/Setting Description
፩ ርፍ	<i>Total conversion factor</i>	Program total conversion factor
፩ ፕፍ	<i>Total reset</i>	Program total reset mode: auto or manual
፪፩ ፩፭	<i>Grand total time base</i>	Program grand total time base
፪፩ ርፍ	<i>Grand total conversion factor</i>	Program grand total conversion factor
፪፩ ፕፍ	<i>Grand total reset</i>	Program grand total reset mode: auto or manual
፱፩፩፩	<i>Automatic</i>	Press Enter to set automatic total reset
፩ ፩፪፪	<i>Time delay</i>	Program time delay for total auto reset
፱፱ ፱፱	<i>Manual</i>	Press Enter to reset total manually
፩፱፱፱፱	<i>Display</i>	Enter the <i>Display</i> menu
፩ ፪	<i>Upper display</i>	Press Enter to assign the Upper display parameter (default: PV or rate)
፩ ፩፩፩፩	<i>Lower display</i>	Press Enter to assign the lower display parameter (default: total)
፩-፩፩፪፪	<i>Display intensity</i>	Set display intensity level from 1 to 8
፱፩፱፱፱	<i>Relay</i>	Enter the <i>Relay</i> menu
፱፱፱ ፱፱፱	<i>Assignment</i>	Assign relays to rate, total, grand total, or Modbus
፱፱ ፱፱ ፩	<i>Assign 1</i>	Relay 1 assignment
፱፱፩፩	<i>Rate</i>	Assign relay to rate
፩፩፩፱፱	<i>Total</i>	Assign relay to total
፪ ፩፩፩፱፱	<i>Grand total</i>	Assign relay to grand total
፱፱፪ ፩	<i>Relay 1</i>	Relay 1 setup
፱፱፩ ፩	<i>Action 1</i>	Set relay 1 action

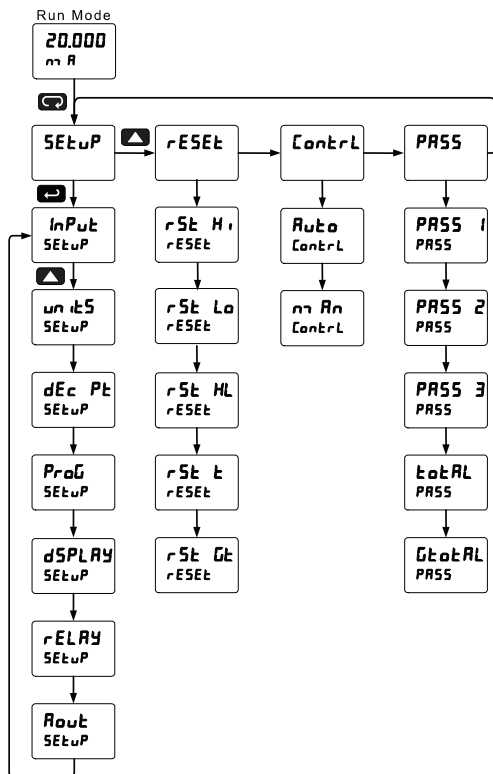
Display	Parameter	Action/Setting Description
<i>RuLo</i>	<i>Automatic</i>	Set relay for automatic reset
<i>R-man PL</i>	<i>Auto-manual</i>	Set relay for automatic & manual reset any time
<i>LATCH</i>	<i>Latching</i>	Set relay for latching operation (relays assigned to rate)
<i>Lt-CLR</i>	<i>Latching-cleared</i>	Set relay for latching operation with manual reset only after alarm condition has cleared (relays assigned to rate)
<i>RLtErrn</i>	<i>Alternate</i>	Set relay for alternation control (relays assigned to rate)
<i>SRnnr PL</i>	<i>Sampling</i>	Set relay for sampling operation
<i>OFF</i>	<i>Off</i>	Disable relay and front panel status LED (Select Off to enable Interlock feature)
<i>SEt 1</i>	<i>Set 1</i>	Program set point 1
<i>rSt 1</i>	<i>Reset 1</i>	Program reset point 1
<i>rLY 2</i>	<i>Relay 2</i>	Relays 2-8 setup <i>Note: Relays 5-8 are shown, only if expansion relay module is installed.</i>
<i>FR iLSF</i>	<i>Fail-safe</i>	Enter <i>Fail-safe</i> menu
<i>FLS 1</i>	<i>Fail-safe 1</i>	Set relay 1 fail-safe operation
<i>on</i>	<i>On</i>	Enable fail-safe operation
<i>oFF</i>	<i>Fail-safe off</i>	Disable fail-safe operation
<i>dELRY</i>	<i>Delay</i>	Enter relay <i>Time Delay</i> menu
<i>dLY 1</i>	<i>Delay 1</i>	Enter relay 1 time delay setup
<i>On 1</i>	<i>On</i>	Set relay 1 On time delay
<i>OFF 1</i>	<i>Off</i>	Set relay 1 Off time delay
<i>Rout</i>	<i>Analog output</i>	Enter the <i>Analog output</i> scaling menu
<i>d iS 1</i>	<i>Display 1</i>	Program display 1 value

Display	Parameter	Action/Setting Description
Out 1	Output 1	Program output 1 value (e.g. 4.000 mA)
dis 2	Display 2	Program display 2 value
Out 2	Output 2	Program output 2 value (e.g. 20.000 mA)
rESEt	Reset	Press Enter to access the <i>Reset</i> menu
rSt Hi	Reset high	Press Enter to reset max display
rSt Lo	Reset low	Press Enter to reset min display
rSt HL	Reset high & low	Press Enter to reset max & min displays
rSt t	Reset total	Press Enter to reset total
rSt Gt	Reset grand total	Press Enter to reset grand total
ContRL	Control	Enter <i>Control</i> menu
Auto	Automatic	Press Enter to set meter for automatic operation
ma n	Manual	Press Enter to manually control relays or analog output operation
PR55	Password	Enter the <i>Password</i> menu
PR55 1*	Password 1*	Set or enter Password 1* (*1, 2, or 3)
totRL	Total password	Set or enter password for manual reset
GtotRL	Grand total password	Set or enter password for manual reset
nonrSt	Non-resettable	Non-resettable grand total set after entering "050873" for Gtotal password
unLoc	Unlocked	Program password to lock meter
Locd	Locked	Enter password to unlock meter
999999	Flashing display	Overrange condition

Main Menu

The main menu consists of the most commonly used functions: *Reset*, *Control*, *Setup*, and *Password*.

- Press Menu button to enter Programming Mode then press the Up arrow button to scroll through the main menu.



- Press Menu, at any time, to exit and return to Run Mode. Changes made to settings prior to pressing Enter are not saved.
- Changes to the settings are saved to memory only after pressing Enter.
- The display moves to the next menu every time a setting is accepted by pressing Enter.

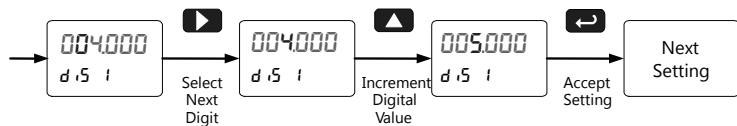
Setting Numeric Values

The numeric values are set using the Right and Up arrow buttons. Press Right arrow to select next digit and Up arrow to increment digit value.

The digit being changed is displayed brighter than the rest.

Press and hold up arrow to auto-increment the display value.

Press the Enter button, at any time, to accept a setting or Menu button to exit without saving changes.

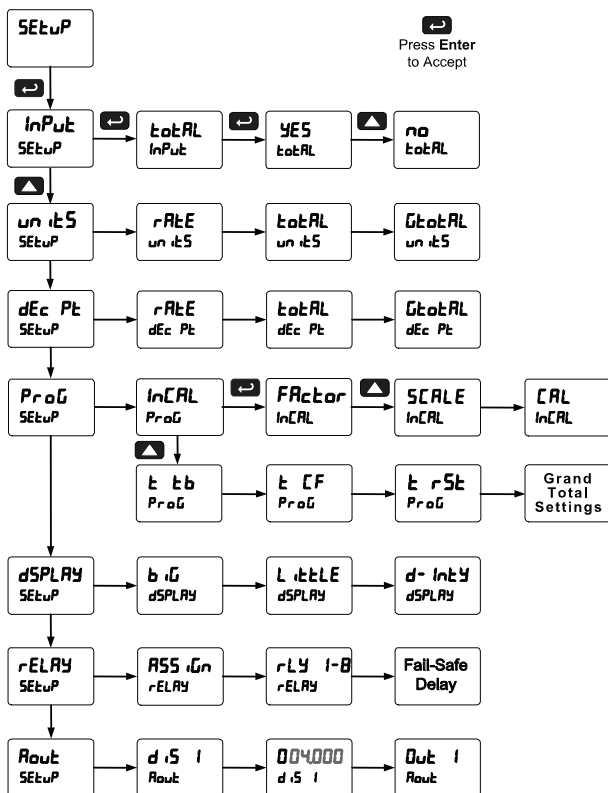


Setting Up the Rate/Totalizer Meter (SEtUP)

The *Setup* menu is used to select:

1. Enable or disable totalizer features
2. Units for Rate, Total, and Grand Total
3. Decimal point position
4. Input Calibration
5. Display parameter and intensity
6. Relay operation
7. 4-20 mA analog output scaling

Press the Enter button to access any menu or press Up arrow to scroll through choices. Press the Menu button to exit at any time.



Setting the Input Signal (*Input*)

There is a switch, located to the right of the input connector, which must be configured according to the input level and type. Jumper J4 located inside the meter, behind the input signal connector, is used to select the excitation voltage (24 V*, 10 V or 5 V) which is supplied to the P+ and P-wiring terminals.

**Default setting*

Enter the Input menu to enable or disable the totalizer features.

Setting the Totalizer Features (*Total*)

Enable or disable the totalizer features by selecting “YES” or “no” after the input type has been set up. If the totalizer features are disabled, most totalizer features and functions are hidden from the menus.

Note: The totalizer continues working in the background.

Setting the Input Units or Custom Tags (UNIT5)

Enter the input unit or custom tag that will be displayed if alternating rate, total, or grand total and units is selected in the UNIT5 menu, or d UNIT is selected as the lower display parameter. See the flow chart on page 49 to access the display menu to show the unit or tag on the lower display.

The engineering units or custom legends can be set using the following 7-segment character set:

Display	Character
0	0
1	1
2	2
3	3
4	4
5	5
6	6
7	7
8	8
9	9
A	A
b	b
C	C
c	c
d	d
E	E
F	F
G	G
g	g
H	H
h	h
I	I
i	i
J	J

Display	Character
K	K
L	L
m	m
n	n
O	O
o	o
P	P
q	q
r	r
S	S
t	t
u	u
V	V
w	w
X	X
Y	Y
Z	Z
-	-
/	/
]]
[[
=	=
Degree(<)	Degree(<)
Space	Space

Notes:

Degree symbol represented by (<) if programming with Panel Meter Pro.

The letters "m" and "w" use two 7-segment LEDs each; when selected the characters to the right are shifted one position.

Press and hold up arrow to auto-scroll the characters in the display.

Setting the Decimal Point (*dEc Pt*)

The decimal point may be set with up to five decimal places or with no decimal point at all. The rate, total, and grand total decimal points are independent.

Pressing the right arrow moves the decimal point one place to the right until no decimal point is displayed, then it moves to the leftmost position.

Pressing the up arrow moves the decimal point to the left.

Programming the Rate/Totalizer (*Prog*)

It is **very important** that one reads the following information before programming the meter:

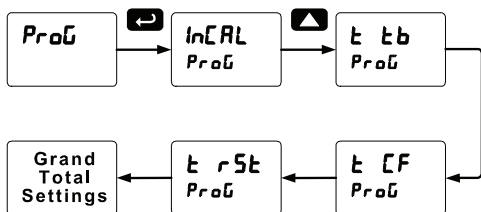
- The meter has been factory calibrated to read input frequency in Hz (pulses/sec). The calibration equipment is certified to NIST standards.
- Use the *K-Factor* menu to match the rate/totalizer with a flowmeter's k-factor (pulse/unit of measure).
- Or use the *Scale* menu to scale the pulse input (pulse/sec) without a signal source.
- Or use *Cal* menu to calibrate the rate/totalizer using a signal source.

The *Program* menu contains the following menus:

1. K-Factor calibration
2. Scale without a signal source
3. Calibrate with a calibrated signal source
4. Total time base & conversion factor
5. Grand total time base & conversion factor
6. Total reset mode for total & grand total

*Note: The Scale, Calibrate, and K-Factor functions are exclusive of each other. The meter uses the last function programmed. Only one of these methods can be employed at a time. The Scale and Calibrate functions can use up to 32 points (default is 2). The number of points should be set in the Advanced menu under the Multi-Point Linearization (*L nERr*) menu selection prior to scaling and calibration of the meter, see page 77 for details.*

The pulse inputs may be calibrated or scaled to any display value within the range of the meter.



Additional parameters, not needed for most applications, are programmed in the *Advanced Features* menu; see *Advanced Features Menu*, page 71.

K-Factor Calibration (FRctor)

The meter may be calibrated using the *K-Factor* function. Most flowmeter manufacturers provide this information with the device. Enter the *K-Factor* (FRctor) menu and select the decimal point with highest resolution possible and program the k-factor value (i.e. pulses/gal). The meter will automatically calculate the flow rate using the k-factor and the time base selected.



Multi-Point Calibration & Scaling

The meter is set up at the factory for 2-point linear calibration. The number of points for multi-point calibration/scaling is set up in the *Advanced Features* menu. Up to 32 linearization points may be selected. See page 77 for details.

Panel Meter Pro Software

The meter can also be programmed using the PC-based Panel Meter Pro software available for free download at www.dwyer-inst.com.

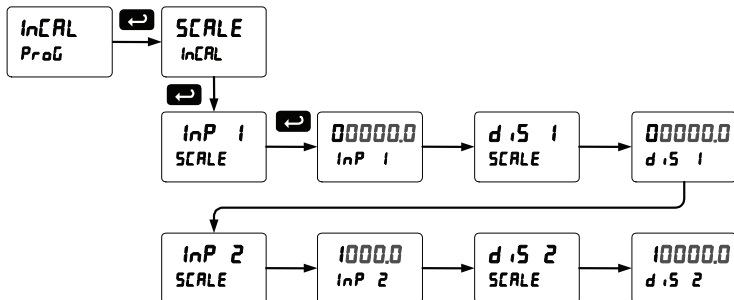
Data logging for one meter at the time is available with Panel Meter Pro software. More advanced data acquisition may be accomplished by using any Modbus RTU compliant software.

In order to program the meter using a computer, the meter must be connected using a RS-232 or RS-485 serial adapter, see ORDERING INFORMATION on page 8 for details.

Scaling the Meter (SCALE)

The pulse inputs can be scaled to display the process variable in engineering units.

A signal source is not needed to scale the meter; simply program the inputs and corresponding display values.



For instructions on how to program numeric values see *Setting Numeric Values*, page 37.

Error Message (Error)

An error message indicates that the calibration or scaling process was not successful. After the error message is displayed, the meter reverts to input 2 during calibration or scaling, allowing the appropriate input signal to be applied or programmed.

The error message might be caused by any of the following conditions:

1. Input signal is not connected to the proper terminals or it is connected backwards.
2. Minimum input span requirements not maintained.
3. Input 1 signal inadvertently applied to calibrate input 2.

Minimum Input Span

The minimum allowed input span is 1.0 Hz, which is the minimum difference between input 1 and input 2 signals required to complete the calibration or scaling of the meter.

Gate Function (GATE)

The gate function is used for displaying slow pulse rates. Using the programmable gate, the meter is able to display pulse rates as slow as 1 pulse every 999.9 seconds (0.001 Hz). The gate function can also be used to obtain a steady display reading with a fluctuating input signal.

The gate function (GATE) is the first option in the Advanced Features menu. There are two settings for the GATE, low gate (Lo G) and high gate (Hi G).

Low Gate (Lo G)

For most applications, low gate setting should be left at 1.0 second. Increase low gate setting to obtain a steadier rate display. The rate display will update in accordance with the low gate setting, for example if low gate is set at 10.0, the display will update every 10 seconds; changes in rate between updates will not be reflected until next display update.

High Gate (Hi G)

Set the high gate value to correspond to the highest expected pulse period (lowest pulse rate). For instance if the meter must display a rate when there is 1 pulse coming into the meter every 10 seconds, set the high gate to 11.0 seconds. When the signal is removed from the meter, the display will show the last reading for 11 seconds; then it will read zero.

Gate Settings

Slow Pulse Rate		
Low Gate* (sec)	High Gate (sec)	Min Freq** (Hz)
1.0	2.0	0.5000
1.0	10.0	0.1000
1.0	20.0	0.0500
1.0	100.0	0.0100
1.0	200.0	0.0050
1.0	400.0	0.0025
1.0	800.0	0.0012
1.0	999.9	0.0010

*The low gate setting corresponds to the display update rate and is used to stabilize the display reading with a fluctuating signal.

**The minimum frequency is dependent on high gate setting.

Contact De-Bounce Filter (F ILLEr)

The filter function (**F ILLEr**) can be used for applications where the meter is set up to count pulses generated by switch contacts. The filter value can be set anywhere between 2 and 50, the higher the value, the greater the filtering.

The filter function (**F ILLEr**) is the second option in the Advanced Features menu. There are two settings, **Hi SPd** (high speed) and **Lo SPd** (low speed), press **ENTER** when **Lo SPd** is displayed to enable the filter function. Program the filter value, so that there are no extra counts when a contact closure is completed.

Filter Settings

Contact De-Bounce Filter		
Filter Setting	Speed Setting	Max Freq (Hz)
2	Lo SPd	999
4	Lo SPd	499
8	Lo SPd	249
16	Lo SPd	124
32	Lo SPd	62
40	Lo SPd	50
50	Lo SPd	40
N/A	Hi SPd	30,000

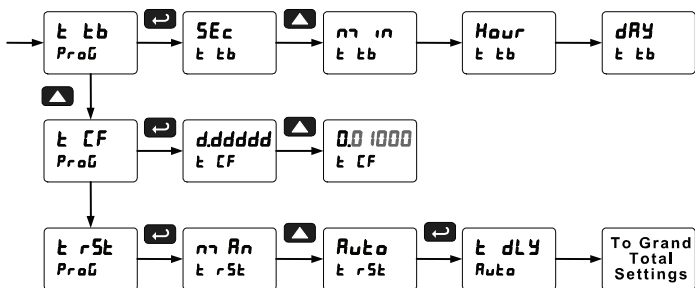
Time Base, Total Conversion Factor & Total Reset

The time base, total conversion factor, and total reset menus are located in the *Program* menu.

The total and grand total have their own independent settings. This means that one can be displaying the value in gallons while the other displays in million gallons, liters, m³, etc.

Total & Grand Total Reset

The totals can be programmed for manual or automatic reset. In the automatic reset mode, a programmable time delay is available to reset the total or grand total after the assigned preset is reached.



Non-Resettable Totalizer

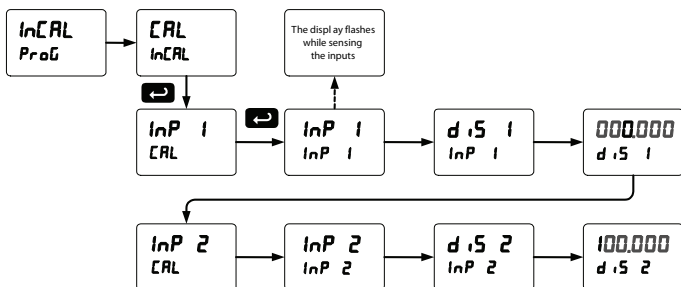
The total and grand total can be password-protected to prevent unauthorized resets. The grand total can be programmed as a non-resettable total, see page 69 for details.

Calibrating the Meter with External Source (CAL)

To scale the meter without a signal source refer to
K-Factor Calibration (K Factor) on page 42 or Scaling the Meter (SCALE) on page 43

The meter can be calibrated to display the process variable in engineering units by applying the appropriate input signal and following the calibration procedure.

The use of a calibrated signal source is strongly recommended to calibrate the meter.



There is no need to warm up the meter before performing the calibration procedure.

Setting the Display Parameter & Intensity (dSPLAY)

The upper display (b iU) can be programmed to display:

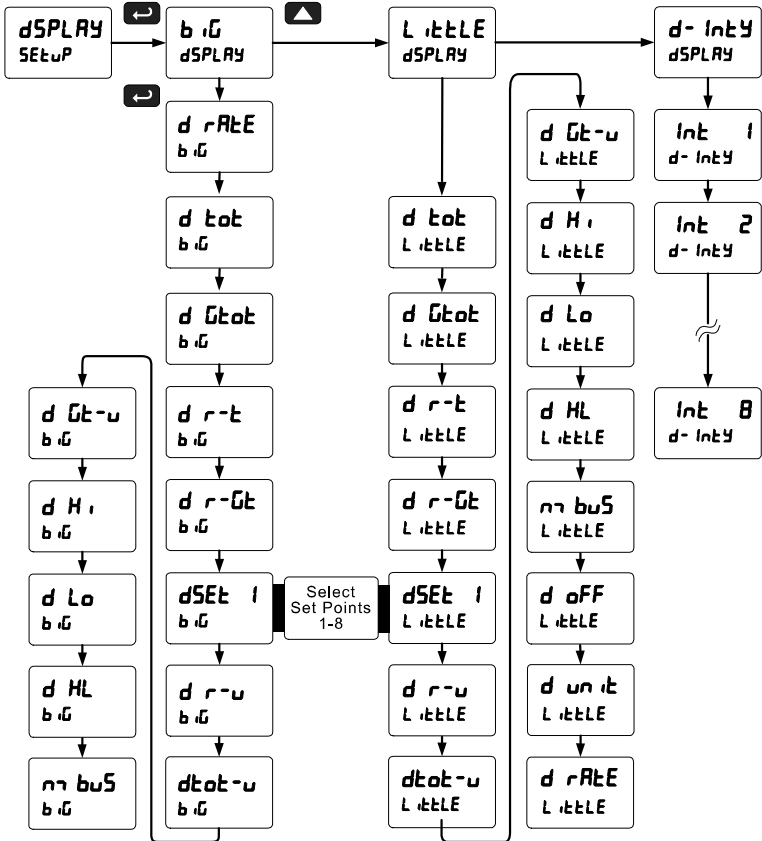
1. Rate value
2. Total or grand total
3. Relay set points
4. Max & min values
5. Modbus input
6. Display rate and units
7. Rate and total
8. Rate and grand total
9. Total and units
10. Grand total and units

The lower display (L iLEE) can be programmed to display:

1. Rate value
2. Total or grand total
3. Relay set points
4. Max & min values
5. Engineering units or custom legends
6. Modbus input
7. Off (no display)
8. Display rate and units
9. Rate and total
10. Rate and grand total
11. Total and units
12. Grand total and units

Display Intensity: The meter has eight display intensity levels to give the best performance under various lighting conditions. Select intensity 8 for outdoor applications. The default display intensity setting is 8.

Display Setup Menu



After setting up the input and the display, press the Menu button to exit programming and skip the rest of the setup menu. Press the Menu button again and the Up arrow to reach the *Program* menu and complete the scaling or calibration of the meter.

Setting the Relay Operation (rELAY)

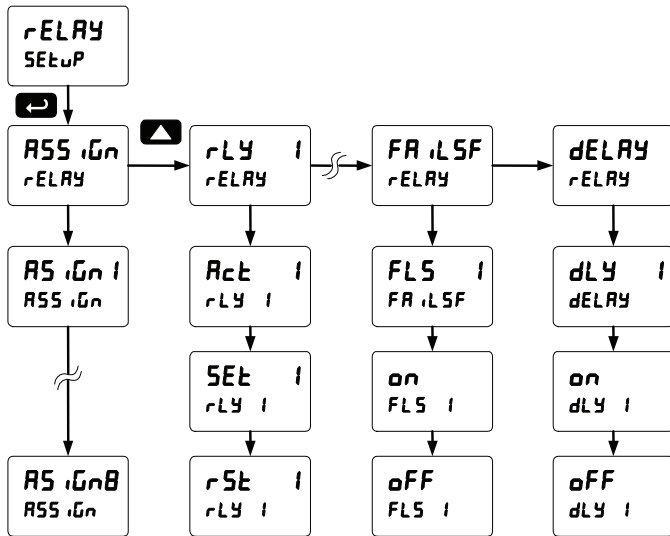
This menu is used to set up the operation of the relays.



Caution!

During setup, the relays do not follow the input and they will remain in the state found prior to entering the Relay menu.

1. Relay assignment
 - a. Rate for low and high alarm
 - b. Total
 - c. Grand total
 - d. Modbus input
2. Relay action
 - a. Automatic reset only (non-latching)
 - b. Automatic + manual reset at any time (non-latching)
 - c. Latching (manual reset only)
 - d. Latching with Clear (manual reset only after alarm condition has cleared)
 - e. Alternation control (automatic reset only)
 - f. Sampling (the relay is activated for a user-specified time)
 - g. Off (relay state controlled by Interlock feature)
3. Set and reset points
4. Fail-safe operation
 - a. On (enabled)
 - b. Off (disabled)
5. Time delay
 - a. On delay (0-999.9 seconds)
 - b. Off delay (0-999.9 seconds)

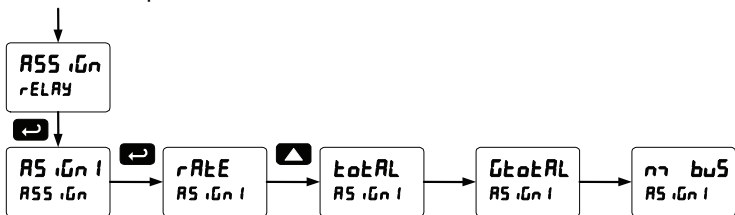


Note: The setup of relays 2-8 follows the same pattern shown here for relay 1.

Relay Assignment (ASS rELAY)

The relays can be assigned to any of the following parameters:

1. Rate for low or high alarm indication
2. Total for alarm indication
3. Grand total for alarm indication
4. Modbus input

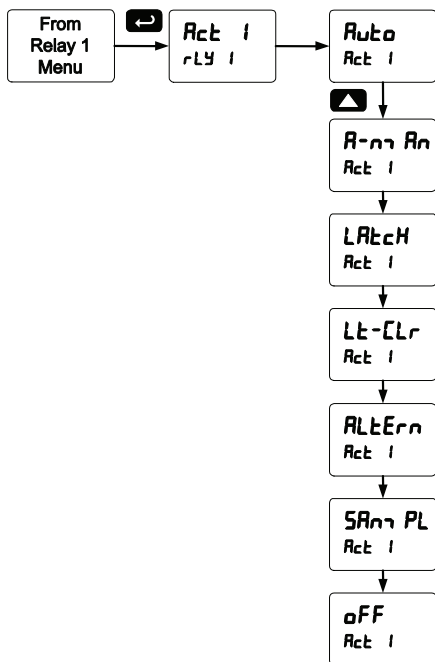


Setting the Relay Action

Operation of the relays is programmed in the *Action* menu. The relays may be set up for any of the following modes of operation:

1. Automatic reset (non-latching)
2. Automatic + manual reset at any time (non-latching)
3. Latching (manual reset only, at any time)
4. Latching with Clear (manual reset only after alarm condition has cleared)
5. Alternation control (automatic reset only)
6. Sampling (the relay is activated for a user-specified time)
7. Off (relay state controlled by Interlock feature)

The following graphic shows relay 1 action setup; relay 2-8 are set up in a similar fashion.



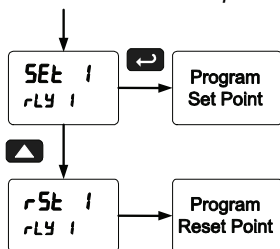
Programming Set and Reset Points

High alarm indication: program set point above reset point.

Low alarm indication: program set point below reset point.

The deadband is determined by the difference between set and reset points. Minimum deadband is one display count. If the set and reset points are programmed with the same value, the relay will reset one count below the set point.

Note: Changes are not saved until the reset point has been accepted.



Setting Fail-Safe Operation

In fail-safe mode of operation, the relay coil is energized when the process variable is within safe limits and the relay coil is de-energized when the alarm condition exists. The fail-safe operation is set independently for each relay. Select **on** to enable or select **oFF** to disable fail-safe operation.

Programming Time Delay

The *On* and *Off* time delays may be programmed for each relay between 0 and 999.9 seconds. The relays will transfer only after the condition has been maintained for the corresponding time delay.

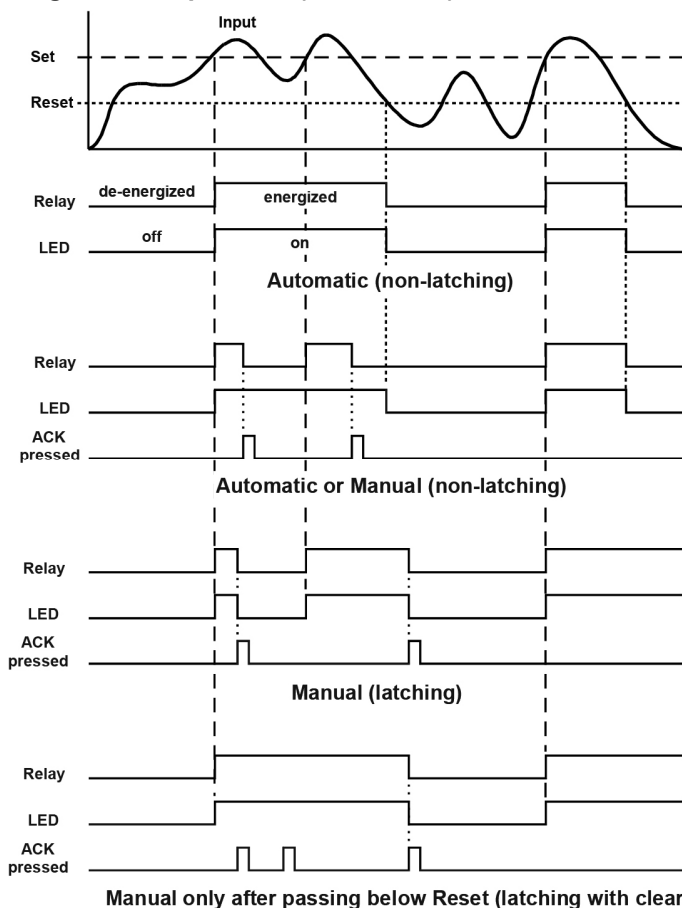
The *On* time delay is associated with the set point.

The *Off* time delay is associated with the reset point.

Relay and Alarm Operation Diagrams

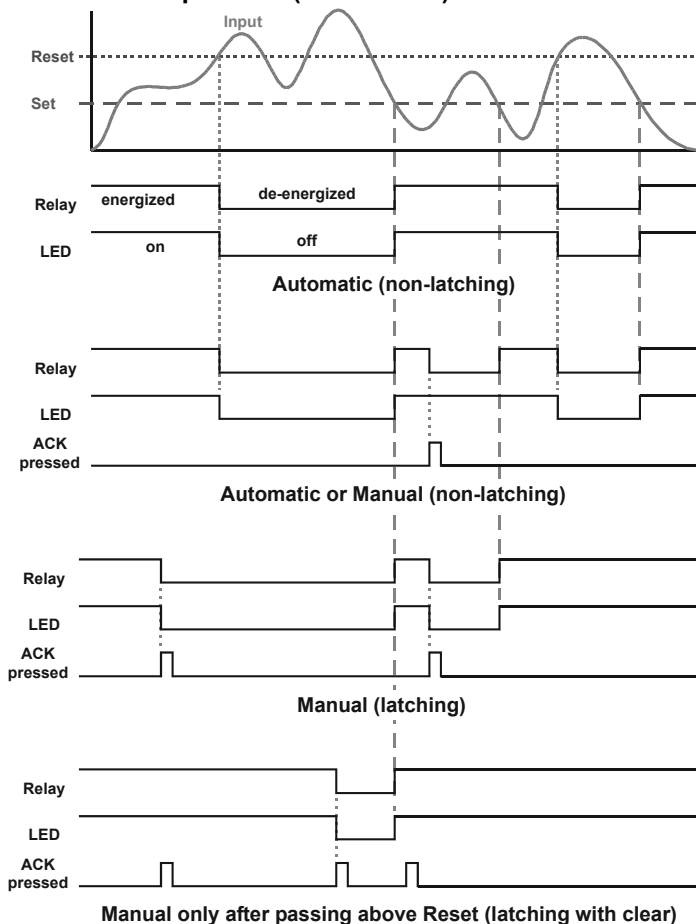
The following graphs illustrate the operation of the relays, status LEDs, and ACK button.

High Alarm Operation (Set > Reset)



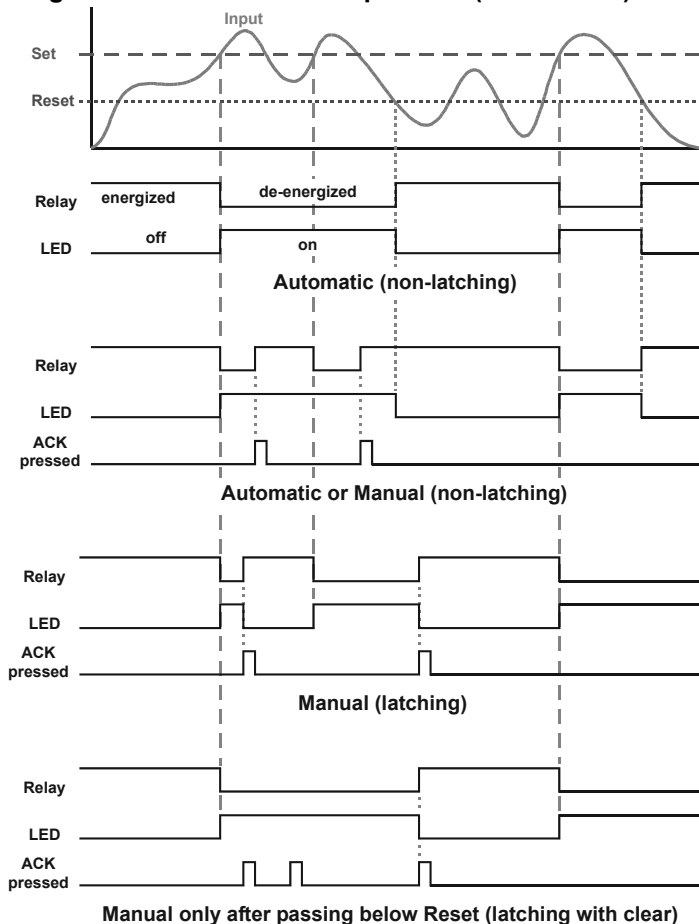
For Manual reset mode, ACK can be pressed anytime to turn "off" relay. To detect a new alarm condition, the signal must go below the set point, and then go above it.

Low Alarm Operation (Set < Reset)



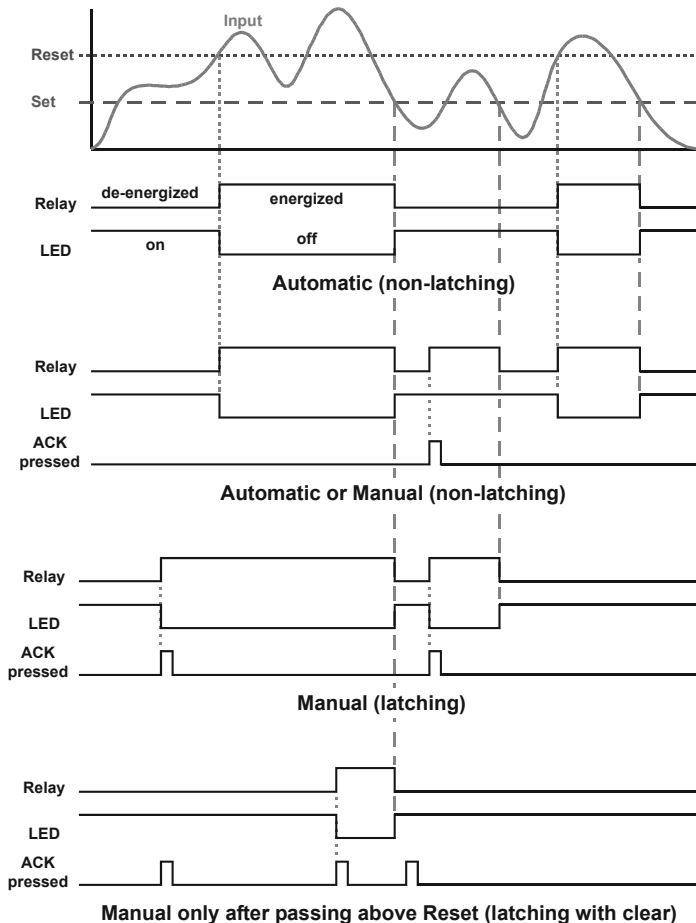
For Manual reset mode, ACK can be pressed anytime to turn "off" relay. For relay to turn back "on", signal must go above set point and then go below it.

High Alarm with Fail-Safe Operation (Set > Reset)



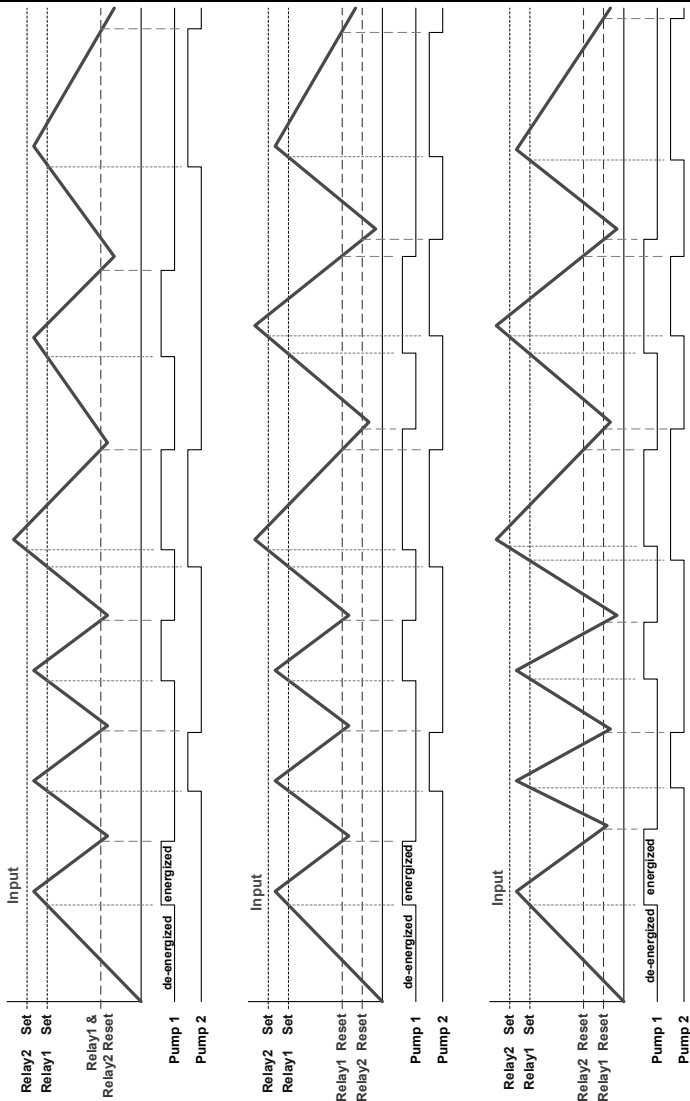
*Note: Relay coil is energized in non-alarm condition.
In case of power failure, relay will go to alarm state.*

Low Alarm with Fail-Safe Operation (Set < Reset)

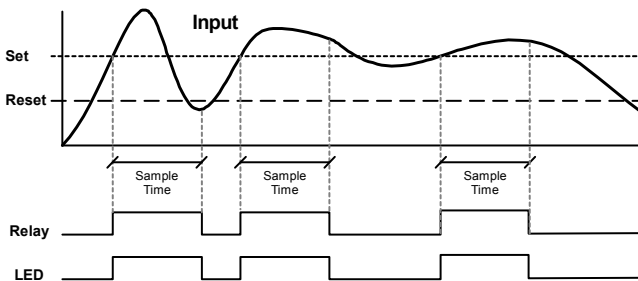


*Note: Relay coil is energized in non-alarm condition.
In case of power failure, relay will go to alarm state.*

Alternation Control Operation



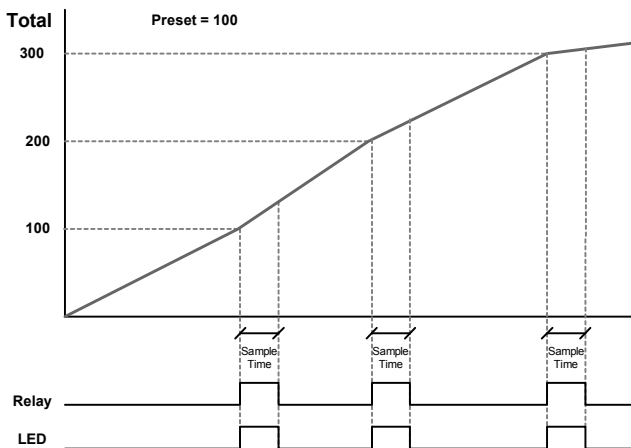
Rate Relay Sampling Operation



When the signal crosses the set point, the relay trips and the sample time starts. After the sample time has elapsed, the relay resets. The cycle repeats every time the set point is crossed, going up for high alarms and going down for low alarms.

The sample time can be programmed between 0.1 and 5999.9 seconds.

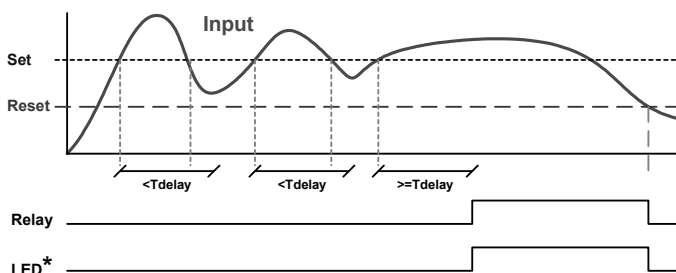
Total Relay Sampling Operation



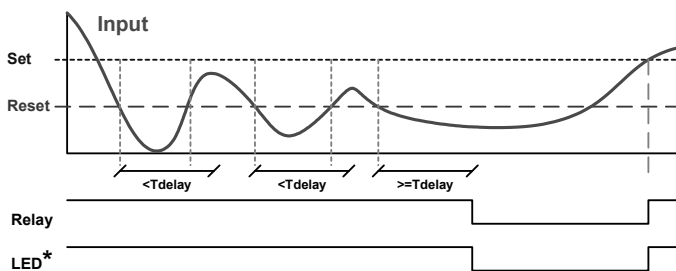
When the total reaches the preset, the relay trips and the sample time starts. After the sample time has elapsed, the relay resets. The cycle repeats every time the preset value is added to the total.

Time Delay Operation

The following graphs show the operation of the time delay function.



On Time Delay



Off Time Delay

When the signal crosses the set point, the *On* time delay timer starts and the relay trips when the time delay has elapsed. If the signal drops below the set point (high alarm) before the time delay has elapsed, the *On* time delay timer resets and the relay does not change state. The same principle applies to the *Off* time delay.

Note: If "Automatic or Manual" (R-n-Rn) reset mode is selected, the LED follows the reset point and not the relay state when the relay is acknowledged.

Relay Operation Details

Overview

The relay capabilities of the meter expand its usefulness beyond simple indication to provide users with alarm and control functions. These capabilities include front panel alarm status LEDs as well as either 2 or 4 optional internal relays and/or 4 external relays expansion module. Typical applications include high or low flow alarms and basic batch control. There are four basic ways the relays can be used:

1. High or Low Alarms with Latching or Non-Latching Relays
2. Simple On/Off Control with 100% Adjustable Deadband
3. Sampling (Based on Time)
4. Alternation Control for up to 8 Relays

Relays Auto Initialization

When power is applied to the meter, the front panel LEDs and alarm relays will reflect the state of the input to the meter. The following table indicates how the alarm LEDs and relays will react on power-up based on the set and reset points:

Alarm #	HI or LO Alarm	Set Point	Reset Point	Power-Up Reading	Relay & LED
1	HI	1000	500	499	Off
2	LO	700	900	499	On
3	LO	250	400	499	Off
4	HI	450	200	499	On

Fail-Safe Operation

The following table indicates how the relays behave based on the fail-safe selection for each relay:

Fail-Safe Selection	Non-Alarm State		Alarm State		Power Failure
	NO	NC	NO	NC	
Off	Open	Closed	Closed	Open	Relays go to non-alarm state
On	Closed	Open	Open	Closed	Relays go to alarm state

Note: NO = Normally Open, NC = Normally Closed. This refers to the condition of the relay contacts when the power to the meter is off.

Front Panel LEDs

The LEDs on the front panel provide status indication for the following:

LED	Status
1	Alarm 1
2	Alarm 2
3	Alarm 3
4	Alarm 4

LED	Status
5	Alarm 5
6	Alarm 6
7	Alarm 7
8	Alarm 8

The meter is supplied with four alarm points that include front panel LEDs to indicate alarm conditions. This standard feature is particularly useful for alarm applications that require visual-only indication. The LEDs are controlled by the set and reset points programmed by the user. When the display reaches a set point for a high or low alarm, the corresponding alarm LED will turn on. When the display returns to the reset point the LED will go off. The front panel LEDs respond differently for latching and non-latching relays.

For non-latching relays, the LED is always off during normal condition and always on during alarm condition, regardless of the state of the relay (e.g. Relay acknowledged after alarm condition).

For latching relays, the alarm LEDs reflects the status of the relays, regardless of the alarm condition. The following tables illustrate how the alarm LEDs function in relation to the relays and the acknowledge button (Default: F3 key assigned to ACK):

Latching and Non-Latching Relay Operation

The relays can be set up for latching (manual reset) or non-latching (automatic reset) operation.

Relay terminology for following tables

Terminology	Relay Condition
On	Alarm (Tripped)
Off	Normal (Reset)
Ack	Acknowledged

The On and Off terminology does not refer to the status of the relay's coil, which depends on the fail-safe mode selected.



Warning!

In latching relay mode, latched relays will reset (unlatch) when power is cycled.

Non-Latching Relay (RUKO)**Automatic reset only**

Condition	LED	Relay
Normal	Off	Off
Alarm	On	On
Ack (No effect)	On	On
Normal	Off	Off

In this application, the meter is set up for automatic reset (non-latching relay). Acknowledging the alarm while it is still present has no effect on either the LED or the relay. When the alarm finally goes away, the relay automatically resets and the LED also goes off.

Non-Latching Relay (R-RRR)**Automatic + manual reset at any time**

Condition	LED	Relay
Normal	Off	Off
Alarm	On	On
Normal	Off	Off
Next Alarm	On	On
Ack	On	Off
Normal	Off	Off

In this application, the meter is set up for automatic and manual reset at any time (non-latching relay). The LED and the relay automatically reset when the meter returns to the normal condition.

The next time an alarm occurs, the operator acknowledges the alarm manually while the alarm condition still exists. This causes the relay to reset, but the LED stays on until the meter returns to the normal condition.

Latching Relay (LRLLH)**Manual reset any time**

Condition	LED	Relay
Normal	Off	Off
Alarm	On	On
Ack	Off	Off

In this application, the meter is set up for manual reset at any time. Acknowledging the alarm even if the alarm condition is still present resets the relay and turns off the LED.

Latching Relay (L_L-C_{Lr})

Manual reset only after alarm condition has cleared

Condition	LED	Relay
Normal	Off	Off
Alarm	On	On
Ack (No effect)	On	On
Normal	On	On
Ack	Off	Off

In this application, the meter is set up for manual reset only after the signal passes the reset point (alarm condition has cleared). Acknowledging the alarm while it is still present has no effect on either the LED or the relay. When the alarm is acknowledged after it returns to the normal state, the LED and the relay go off. Notice that the LED remains on, even after the meter returns to the normal condition. This is because, for latching relays, the alarm LED reflects the status of the relay, regardless of the alarm condition.

Acknowledging Relays

There are two ways to acknowledge relays programmed for manual reset:

1. Via the programmable front panel function keys F1-F3 (Default: F3 assigned to ACK).
2. Remotely via a normally open pushbutton wired across one of the digital inputs and the +5 V terminals on the digital I/O modules, or using the F4 digital input, which is triggered with a contact closure to COM, or with an active low signal (see page 27).

When the ACK button or the assigned digital input is closed, all relays programmed for manual reset are acknowledged.

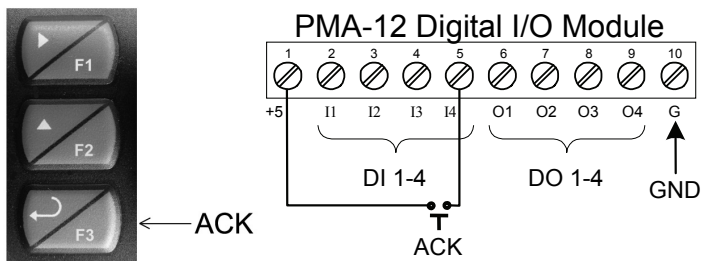
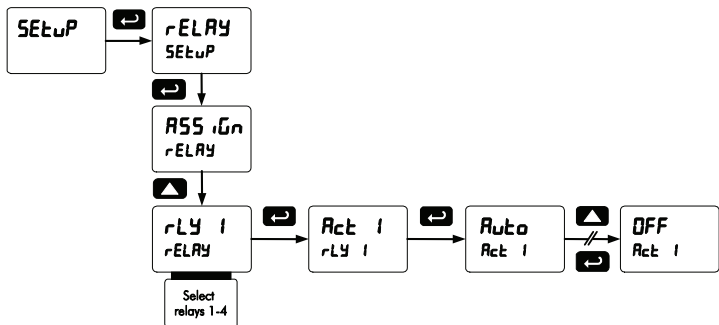


Figure 20: Acknowledge Relays w/Function Key or Digital Input

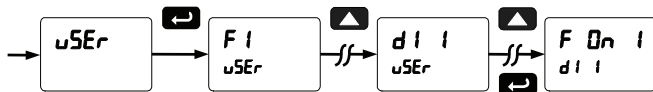
Setting Up the Interlock Relay (Force On) Feature

Relays 1-4 can be set up as interlock relays. To set up the relays for the interlock feature:

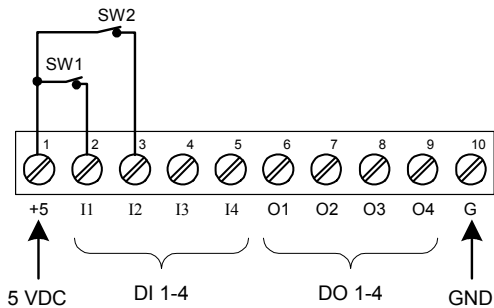
1. Access the *Setup – Relay – Action* menu and set the action to off.



2. In the *Advanced features – User* menu program any of the digital inputs to *Force On* any of the internal relays (1-4).



3. Connect a switch or dry contact between the +5V terminal and the corresponding digital input (dl-1 to dl-4) terminal.



Interlock Relay Operation Example

Relays 1 & 2 are configured to energize (their front panel LEDs are off) when SW1 & SW2 switches (above) are closed. If the contacts to these digital inputs are opened, the corresponding front panel LEDs flash indicating this condition. The processes being controlled by the interlock relay will stop, and will re-start only after the interlock relay is re-activated by the digital inputs (switches).

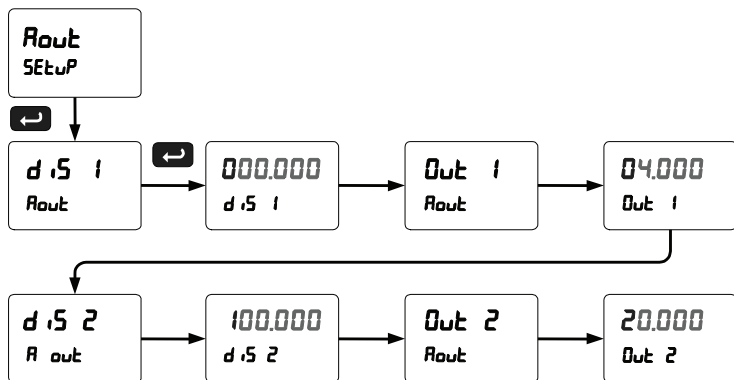
Note: If multiple digital inputs are assigned to the same relay, then the corresponding logic is (AND) – i.e. both switches must be closed to trip the relay.

Scaling the 4-20 mA Analog Output (R_{out})

The 4-20 mA analog output can be scaled to provide a 4-20 mA signal for any display range selected.

No equipment is needed to scale the analog output; simply program the display values to the corresponding mA output signal.

The *Analog Output* menu is used to program the 4-20 mA output based on display values.



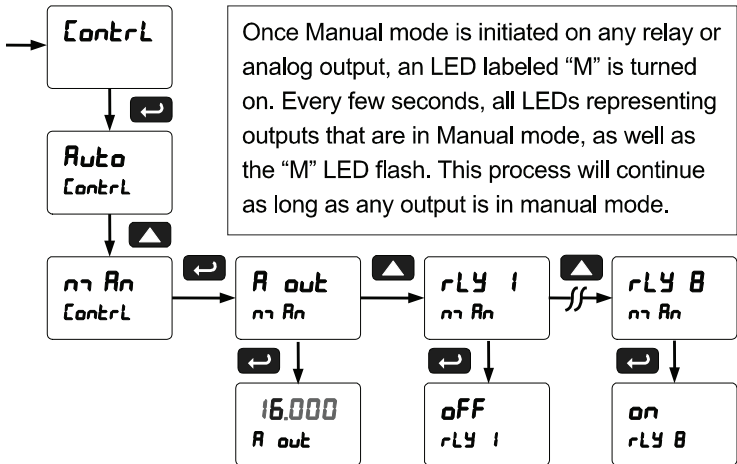
For instructions on how to program numeric values see *Setting Numeric Values*, page 37.

Reset Menu (rE5Et)

The *Reset* menu is used to reset the totals, maximum or minimum reading (peak or valley) reached by the process; both may be reset at the same time by selecting “reset high & low” (r5t HL).

Control Menu (ContrL)

The *Control* menu is used to control the 4-20 mA analog output and the relays manually, ignoring the input. Each relay and analog output can be programmed independently for manual control. Selecting automatic control sets all relays and the analog output for automatic operation.



Setting Up the Password (PASS)

The *Password* menu is used for programming three levels of security to prevent unauthorized changes to the programmed parameter settings and to program the non-resettable totalizer.

Pass 1: Allows use of function keys and digital inputs

Pass 2: Allows use of function keys, digital inputs and editing set/reset points

Pass 3: Restricts all programming, function keys, and digital inputs.

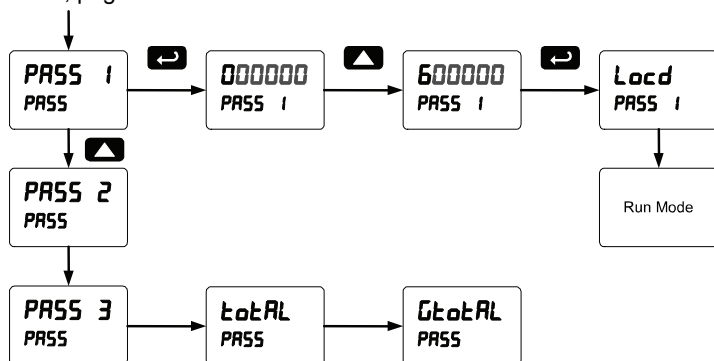
Total: Prevents resetting the total manually

Gtotal: Prevents resetting the grand total manually

Protecting or Locking the Meter

Enter the *Password* menu and program a six-digit password.

For instructions on how to program numeric values see *Setting Numeric Values*, page 37.



Record the password for future reference. If appropriate, it may be recorded in the space provided.

Model:	
Serial Number:	
Password 1:	__ __ __ __ __ __
Password 2:	__ __ __ __ __ __
Password 3:	__ __ __ __ __ __
Total	__ __ __ __ __ __
GTotal	__ __ __ __ __ __

Total Reset Password & Non-Resettable Total

The total and the grand total can be password-protected to prevent unauthorized total resets.

The grand total can be programmed as a non-resettable total by entering the password "050873".



Caution!

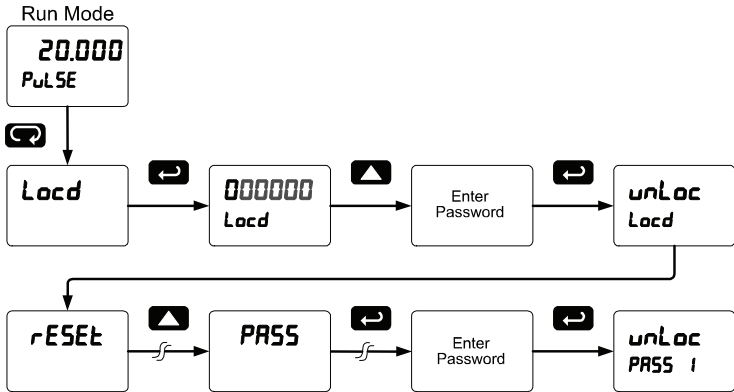
*Once the Grand Total has been programmed as "non-resettable" the feature **cannot** be disabled.*

Making Changes to a Password Protected Meter

If the meter is password protected, the meter will display the message *Locd* (*Locked*) when the Menu button is pressed. Press the Enter button while the message is being displayed and enter the correct password to gain access the menu. After exiting the programming mode, the meter returns to its password protected condition.

Disabling Password Protection

To disable the password protection, access the *Password* menu and enter the correct password twice, as shown below. The meter is now unprotected until a new password is entered.



If the correct six-digit password is entered, the meter displays the message *unLoc* (unlocked) and the protection is disabled until a new password is programmed.

If the password entered is incorrect, the meter displays the message *Locd* (*Locked*) for about two seconds, and then it returns to Run Mode. To try again, press Enter while the *Locked* message is displayed.

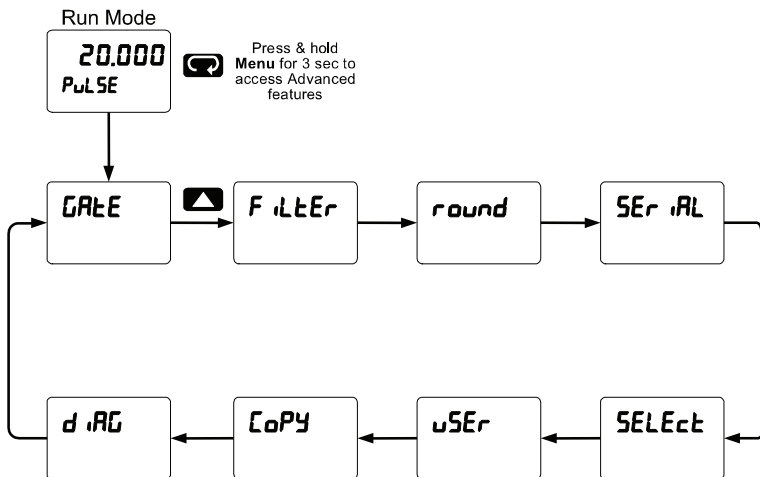
Did you forget the password?

The password may be disabled by entering a master password once. If you are authorized to make changes, enter the master password 508655 to unlock the meter.

Advanced Features Menu

To simplify the setup process, functions not needed for most applications are located in the *Advanced Features* menu.

Press and hold the Menu button for three seconds to access the advanced features of the meter.



Advanced Features Menu & Display Messages

The following table shows the functions and messages of the *Advanced Features* menu in the order they appear in the menu.

Display	Parameter	Action/Setting
GATE	Gate	Enter Gate function menu
Lo G	Low gate	Program Low gate value
Hi G	High gate	Program High gate value
FILTER	Filter	Enter the Filter menu
Lo SPD	Low speed	Set the contact de-bounce filter value
Hi SPD	High speed	Select high speed filter
round	Round	Set the rounding value for display variables
SERIAL	Serial	Set serial communication parameters
SLAVE ID	Slave ID	Set slave ID or meter address
baud	Baud rate	Select baud rate
tr dLY	Transmit delay	Set transmit delay for serial communication
PARITY	Parity	Select parity Even, Odd, or None with 1 or 2 stop bits
t-bytE	Time byte	Set byte-to-byte timeout
SELEct	Select	Enter the Select menu (function, cutoff, out)
FuncTn	Signal input conditioning	Select linear only, other functions are not applicable to pulse input
LinEAR	Linear	Set meter for linear function and select number of linearization points
no Pts	Number of points	Set meter for 2 to 32-point linearization
CuTOff	Cutoff	Set low-flow cutoff
CouNt	Count	Set the totals to count up or down from a set value

Display	Parameter	Action/Setting
⌘⌘⌘ ⌘	Total count	Set the total to count up to or down from the programmed total value
⌘⌘⌘⌘⌘ ⌘	Grand total count	Set the grand total to count up or down from the programmed grand total value
R⌘⌘⌘⌘Pr	Analog output programming	Program analog output parameters
5⌘⌘⌘⌘E	Source	Select source for the 4-20 mA output
⌘-rR⌘⌘	Overrange	Program mA output for display overrange
⌘-rR⌘⌘	Underrange	Program mA output for display underrange
⌘⌘ RH	Maximum	Program maximum mA output allowed
⌘⌘ ⌘	Minimum	Program minimum mA output allowed
⌘RL ⌘	Calibrate	Calibrate 4-20 mA output (internal reference source used for scaling the output)
4 ⌘⌘ R	4 mA output	Enter mA output value read by milliamp meter with at least 0.001 mA resolution
20 ⌘⌘ R	20 mA output	Enter mA output value read by milliamp meter with at least 0.001 mA resolution
⌘5Er	User I/O	Assign function keys and digital I/O
F 1	F1 function key	Assign F1 function key
F2	F2 function key	Assign F2 function key
F3	F3 function key	Assign F3 function key
F4	F4 function	Assign F4 function (digital input)
d 1 1	Digital input 1	Assign digital input 1 – 8, if expansion modules are connected
d0 1	Digital output 1	Assign digital output 1 – 8, if expansion modules are connected
⌘⌘Py	Copy	Enter copy function
5End	Send	Send meter settings to another meter

Display	Parameter	Action/Setting
<i>donE</i>	<i>Done</i>	Copy function completed
<i>d iRG</i>	<i>Diagnostics</i>	Display parameter settings
<i>F iLTER</i>	<i>Filter</i>	Display filter selection
<i>r ound</i>	<i>Round</i>	Round the display values to the nearest entered multiple
<i>F unctiOn</i>	<i>Function</i>	Function selected
<i>S CAlE</i>	<i>Scale</i>	Scaling parameter
<i>FRActor</i>	<i>K-factor</i>	K-factor value
<i>GAte</i>	<i>Gate</i>	Gate settings
<i>C uToFF</i>	<i>Cutoff</i>	Cutoff value
<i>t Eb</i>	<i>Total time base</i>	Set time period
<i>t CF</i>	<i>Total conversion factor</i>	Set conversion factor
<i>t rSt</i>	<i>Total reset</i>	Set reset method
<i>Gt Eb</i>	<i>Grand total time base</i>	Set grand total time period
<i>Gt CF</i>	<i>GT conversion factor</i>	Set grand total conversion factor
<i>Gt rSt</i>	<i>Grand total</i>	Set grand total reset method
<i>dSPLY</i>	<i>Display</i>	Display assignments
<i>rELAY</i>	<i>Relays</i>	Relay settings
<i>RoUt</i>	<i>Analog output</i>	Analog output scaling
<i>RoUtPr</i>	<i>Analog output programming</i>	Analog output programming
<i>Ser iAL</i>	<i>Serial</i>	Serial communication settings
<i>LEd t</i>	<i>LED test</i>	Test all LEDs
<i>INFO</i>	<i>Information</i>	Display software and S/N information

Rounding Feature (*round*)

The rounding feature is used to give the user a steadier display with fluctuating signals. Rounding is used in addition to the filter function.

Rounding causes the display to round to the nearest value according to the rounding selected. This setting affects the last two digits, regardless of decimal point position.

Modbus RTU Serial Communications (*SErIAL*)

The meter is equipped with serial communications capability as a standard feature using Modbus RTU Serial Communication Protocol.

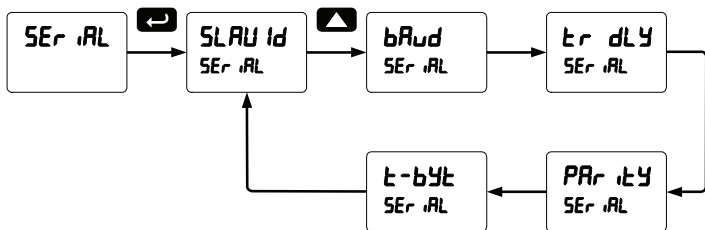
To communicate with a computer or other data terminal equipment, an RS-232 or RS-485 adapter option is required; see *Ordering Information* on page 8 for details.



Warning!

Do not connect any equipment other than Dwyer Instruments, Inc.'s expansion modules, cables, or meters to the RJ45 M-LINK connector. Otherwise damage will occur to the equipment and the meter.

Note: More detailed instructions are provided with each optional serial communications adapter. Note: Refer to the Modbus Register Tables located at www.dwyer-inst.com for details.

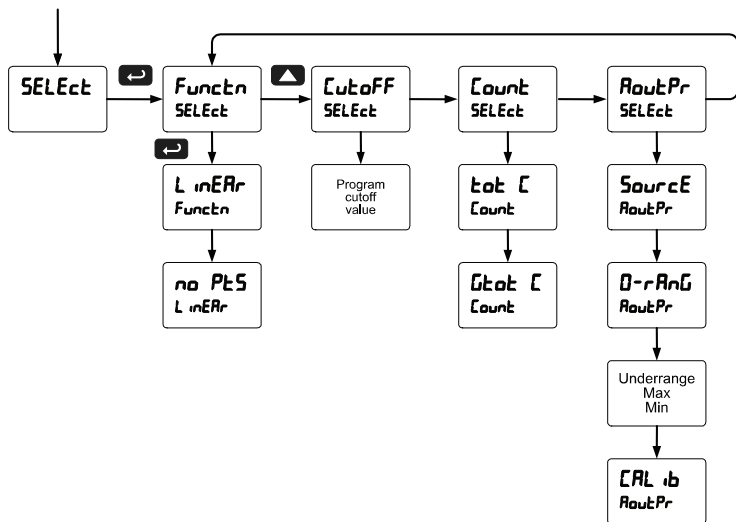


When using more than one meter in a multi-drop mode, each meter must be provided with its own unique address. The meter address (Slave ID) may be programmed between 1 and 247. The transmit delay may be set between 0 and 199 ms. The parity can be set to even, odd, or none with 1 or 2 stop bits.

The PPM can also be connected to another PPM with a special PMA-02 cable, allowing the user to copy all the settings from one meter to another, using the *Copy* function.

Select Menu (SELEct)

The *Select* menu is used to select the signal input conditioner applied to the input (linear), low-flow cutoff, and analog output programming. The multi-point linearization is part of the linear function selection.



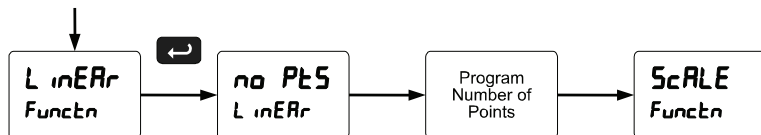
Signal Input Conditioning (Functn)

The *Function* menu is used to select the signal input conditioner applied to the input: linear, where the multi-point linearization is part of the linear function selection.

Meters are set up at the factory for linear function with 2-point linearization. The linear function provides a display that is linear with respect to the input signal.

Multi-Point Linearization (L inERr)

Meters are set up at the factory for linear function with 2-point linearization. Up to 32 linearization points can be selected under the linear function. The multi-point linearization can be used to linearize the display for non-linear signals.



Low-Flow Cutoff (Cutoff)

The low-flow cutoff feature allows the meter to be programmed so that the often-unsteady output from a differential pressure transmitter, at low flow rates, always displays zero on the meter.

The cutoff value may be programmed from 0 to 999999. The meter will display zero below the cutoff value. Programming the cutoff value to zero disables the cutoff feature.

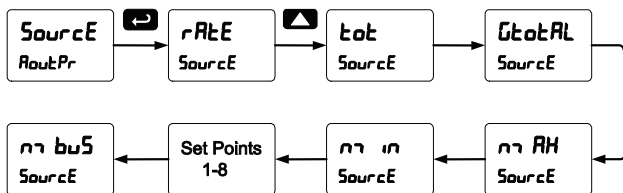
Analog Output Programming (AnalogPr)

The *Analog Output Programming* menu is used to program the behavior of the 4-20 mA output. The following parameters and functions are programmed in this menu:

1. Source: Source for generating the 4-20 mA output (e.g. PV)
2. Overrange: Analog output value with display in overrange condition
3. Underrange: Analog output value with display in underrange condition
4. Max: Maximum analog output value allowed regardless of input
5. Min: Minimum analog output value allowed regardless of input
6. Calibrate: Calibrate the internal 4-20 mA source reference used to scale the 4-20 mA output

Analog Output Source

The source for generating the 4-20 mA output may be assigned to the rate/process variable, total, grand total, maximum or minimum value reached by the rate/process, one of the set points, or the Modbus PV input.

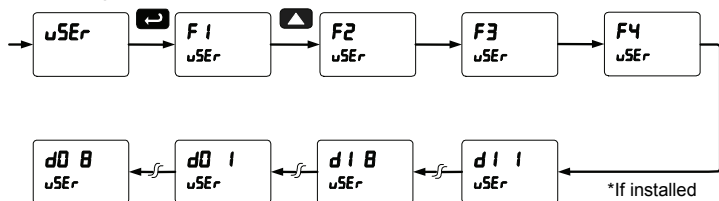


Analog Output Calibration

To perform the analog output calibration it's recommended to use a milliamp meter with a resolution of at least 0.1 μA to measure the output current. The values saved internally during this procedure are used for scaling the 4-20 mA output in the *Setup* menu.

Programmable Function Keys User Menu (uSEr)

The *User* menu allows the user to assign the front panel function keys F1, F2, F3, F4 (digital input) and up to eight digital inputs to access most of the menus or to activate functions immediately (e.g. Reset max & min). Up to eight digital outputs can be assigned to a number of actions and functions executed by the meter (e.g. Alarms, relay acknowledgement, etc.).



Function Keys & Digital I/O Available Settings

Display	Description	Display	Description
rSEt HL	Reset max & min	rESEt	Reset menu
rELAY	Relay menu	rSEt t	Reset total
SEt i	Set point 1 - 8	rSEt Gt	Reset grand total
rLY d	Disable relay	rSEt H i	Reset max
rLY E	Enable relay	rSEt Lo	Reset min
o HoLd	Relays & output hold	dSPLY	Display menu
d HoLd	Display hold	b u	Upper display menu
b u H i	Max on Upper display	l t t L E	Lower display menu
b u Lo	Min on Upper display	m ENu	Menu button
b u HL	Max/min Upper display	r GHt	Right arrow button
l t H i	Max on Lower display	uP	Up arrow button
l t Lo	Min on Lower display	EntEr	Enter button
l t HL	Max/min Lower display	ALAr 1	Alarm 1 - 8
l t Gt	Lower display grand total	F on 1	Force on relay 1
ContRl	Control Menu	F on 2	Force on relay 2
d sRbl	Disable function key	F on 3	Force on relay 3
ACK	Acknowledge relays	F on 4	Force on relay 4

Meter Copy Function (Копы)

The *Copy* function is used to copy (or clone) all the settings from one meter to other meters requiring exactly the same setup and programming (*i.e.* type of input, scaling, decimal point, filter, gate, etc.).



Warning!

Only the PMA-02 meter copy cable must be used for meter-to-meter interfacing.

Using standard CAT5 or other cable will cause damage to both meters.

Copy Function Requirements

To successfully copy settings from one meter to another, both meters must have:

- 1. Same software version*
- 2. Same baud rate setting*

See Determining Software Version, page 84 for instructions.

Meter Copy or Cloning Instructions



Caution!

Do not connect the two meters to the same signal source while cloning. Internal calibration may be affected.

1. Connect two meters using a PMA-02 meter copy cable.

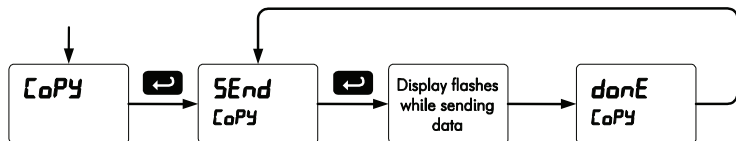


Warning!

Use PMA-02 meter copy cable only!

Using standard CAT5 or other cable will cause damage to both meters.

2. Do not connect the two meters to the same signal source.
3. Power up both meters. Leave Clone meter in Run Mode.
4. Enter the *Advanced Features* menu of the Master meter see *Advanced Features Menu* page 71.
5. Scroll to the *Copy* function using the Up arrow button then press Enter.
6. The meter displays the message *SEnd*. Press Enter, the display flashes while sending data.



7. The Clone meter displays the message *CoPY rL* while being programmed then the message *donE* when copying is completed. The meter initializes and returns to Run Mode using the same settings as the Master.
8. If meter to be cloned does not respond to the data being sent, refer to ***Copy Function Requirements*** above.





METER OPERATION

The meter accepts pulses (e.g. $\pm 40\text{mV}$ to $\pm 8\text{V}$), square wave (0-5, 0-12V, or 0-24V), open collector NPN, PNP, TTL, or switch contact signals and displays these signals in engineering units from -99999 to 999999.

The dual-line display can be customized by the user to operate in such a way as to satisfy a specific application. Typically the upper display is used for the process variable; while the lower display is used for engineering units, custom legend, total, grand total, or set point indication.

The meter can be set up to display the pulse input on the upper display and the Modbus input on the lower display. The relays and analog output can be programmed to operate from the Modbus PV input.

Front Panel Buttons Operation

Button Symbol	Description
	Press to enter or exit Programming Mode, view settings, or exit max/min readings
	Press to reset max/min readings or other parameter/function assigned through the <i>User</i> menu
	Press to display max/min readings or other parameter/function assigned through the <i>User</i> menu
	Press to acknowledge relays or other parameters/function assigned through the <i>User</i> menu

Function Keys Operation

During operation, the programmable function keys operate according to the way they have been programmed in the *Advanced Features – User* menu.

The table above shows the factory default settings for F1, F2, and F3.

F4 Operation

A digital input, F4, is standard on the meter. This digital input is programmed identically to function keys F1, F2, and F3. The input is triggered with a contact closure to COM, or with an active low signal. During operation, F4 operates according to the way it has been programmed in the *Advanced Features – User* menu.

Maximum/Minimum Readings

The max & min readings (peak & valley) reached by the process can be displayed either continuously or momentarily:

1. Display briefly by assigning to the F1-F3 function keys, F4 (digital input) or to the digital inputs in the *User* menu.
2. Display continuously by assigning either display to max/min through the *Display* menu.

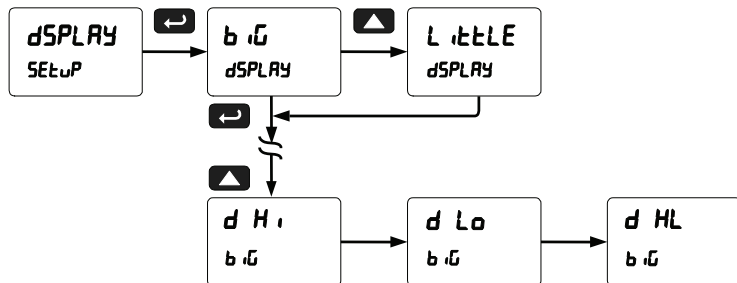
Any of the F1-F3 function keys (buttons), F4 (digital input), and the digital inputs can be programmed to reset the max & min readings. The meters are set at the factory to display the max reading by pressing the Up arrow/F2 button and to use the Right arrow/F1 button to access the *Reset* menu.

To display max reading using function key with factory defaults:

1. Press Up arrow/F2 button to display maximum reading since the last reset/power-up.
2. To reset max/min press Right arrow/F1 button to access the Reset menu. The max & min displays are reset to actual values.
3. Press Menu to exit max/min display reading.

To display max/min readings continuously:

Assign either display to Max (d H i), Min (d L o), or toggle between Max and Min (d H L) every 10 seconds.



TROUBLESHOOTING

The rugged design and the user-friendly interface of the meter should make it unusual for the installer or operator to refer to this section of the manual. However, due to the many features and functions of the meter, it's possible that the setup of the meter does not agree with what an operator expects to see.

If the meter is not working as expected, refer to the *Diagnostics* menu and recommendations below.

Diagnostics Menu (d iRG)

The *Diagnostics* menu is located in the *Advanced Features* menu, to access *Diagnostics* menu see *Advanced Features Menu*, page 71.

It provides an easy way to view the programmed parameter settings for troubleshooting purposes. Press the Enter button to view the settings and the Menu button to exit at any time.

For a description of the diagnostic messages, see *Advanced Features Menu & Display Messages*, page 72.

Determining Software Version

To determine the software version of a meter:

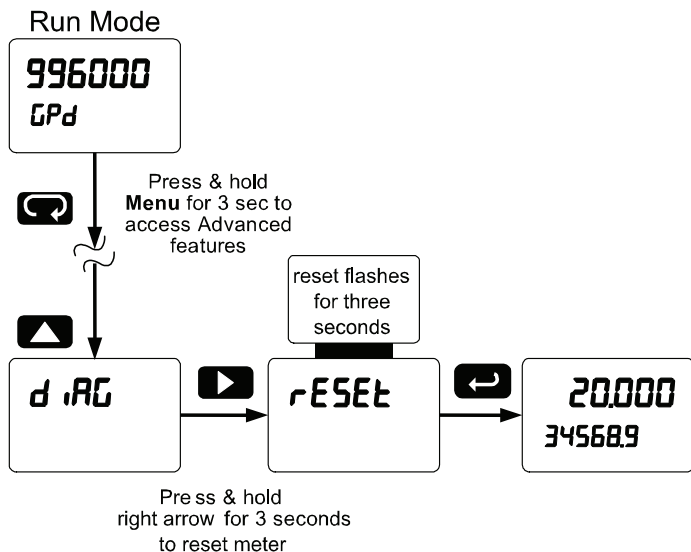
1. Go to the *Diagnostics* menu (d iRG) and press Enter button.
2. Press Up arrow button and scroll to Information menu (i n F d).
3. Press Enter to access the software number (5Ft) and version (vEr) information. Write down the information as it is displayed. Continue pressing Enter until all the information is displayed.
4. The meter returns to Run Mode after displaying all the settings.

Reset Meter to Factory Defaults

When the parameters have been changed in a way that is difficult to determine what's happening, it might be better to start the setup process from the factory defaults.

Instructions to load factory defaults:

1. Enter the *Advanced Features* menu. See *Advanced Features Menu*, page 71.
2. Press Up arrow to go to *Diagnostics* menu
3. Press and hold Right arrow for three seconds, press Enter when display flashes *rESEt*.
Note: If Enter is not pressed within three seconds, the display returns to the *Diagnostics* menu.
4. The meter goes through an initialization sequence (similar as on power-up), and loads the factory default settings.



Factory Defaults & User Settings

The following table shows the factory setting for most of the programmable parameters on the meter. Next to the factory setting, the user may record the new setting for the particular application.

Model: _____ S/N: _____ Date: _____

Parameter	Display	Default Setting	User Setting
Input type	<i>inPul</i>	Pulse	
Total	<i>YES</i>	Total enabled	
Units	<i>units</i>	Rate / total / gr. total pulse / pulse / pulse	
Filter	<i>FILTEr</i>	Hi Spd	
K-factor	<i>FACTOR</i>	1.000	
Function	<i>FUNCTiON</i>	Linear	
Number of points	<i>noPTS</i>	2	
Input 1	<i>inP 1</i>	00000.0	
Display 1	<i>dis 1</i>	00000.0	
Input 2	<i>inP 2</i>	10000.0	
Display 2	<i>dis 2</i>	10000.0	
Decimal point	<i>dddddd</i>	1 place	
Cutoff value	<i>CUTOFF</i>	0.000 (disabled)	
Display assignment	<i>DISPLAY</i>		
Upper display	<i>bi</i>	Rate/Process	
Lower display	<i>Li</i>	Total value	
Display intensity	<i>d-inty</i>	8	
Total time base	<i>t tb</i>	Second	
Total conversion factor	<i>t CF</i>	1.000	
Total reset	<i>t rSt</i>	Manual	
Grand total time base	<i>Gt tb</i>	Second	
Grand total conversion factor	<i>t CF</i>	1.000	
Grand total reset	<i>t rSt</i>	Manual	

Parameter	Display	Default Setting	User Setting
Relay 1 assignment	<i>RS 1n1</i>	Total	
Relay 2 assignment	<i>RS 1n2</i>	Total	
Relay 3 assignment	<i>RS 1n3</i>	Rate	
Relay 4 assignment	<i>RS 1n4</i>	Rate	
Relay 1 action	<i>Rct 1</i>	Automatic	
Relay 1 set point	<i>SEt 1</i>	100.0	
Relay 1 reset point	<i>rSt 1</i>	000.0	
Relay 2 action	<i>Rct 2</i>	Automatic	
Relay 2 set point	<i>SEt 2</i>	200.0	
Relay 2 reset point	<i>rSt 2</i>	000.0	
Relay 3 action	<i>Rct 3</i>	Automatic	
Relay 3 set point	<i>SEt 3</i>	300.0	
Relay 3 reset point	<i>rSt 3</i>	250.0	
Relay 4 action	<i>Rct 4</i>	Automatic	
Relay 4 set point	<i>SEt 4</i>	400.0	
Relay 4 reset point	<i>rSt 4</i>	350.0	
Fail-safe relay 1	<i>FLS 1</i>	Off	
Fail-safe relay 2	<i>FLS 2</i>	Off	
Fail-safe relay 3	<i>FLS 3</i>	Off	
Fail-safe relay 4	<i>FLS 4</i>	Off	
On delay relay 1	<i>On 1</i>	0.0 sec	
Off delay relay 1	<i>OFF 1</i>	0.0 sec	
On delay relay 2	<i>On 2</i>	0.0 sec	
Off delay relay 2	<i>OFF 2</i>	0.0 sec	
On delay relay 3	<i>On 3</i>	0.0 sec	
Off delay relay 3	<i>OFF 3</i>	0.0 sec	
On delay relay 4	<i>On 4</i>	0.0 sec	
Off delay relay 4	<i>OFF 4</i>	0.0 sec	
Display 1 analog out	<i>d1S 1</i>	0.0	
Output 1 value	<i>Out 1</i>	4.000 mA	

Parameter	Display	Default Setting	User Setting
Display 2 analog out	<i>d 1 2</i>	1000.0	
Output 2 value	<i>Out 2</i>	20.000 mA	
Source analog output	<i>Source</i>	Rate/process	
Overrange output	<i>Overran</i>	21.000 mA	
Underrange output	<i>Underran</i>	3.000 mA	
Maximum output	<i>max</i>	23.000 mA	
Minimum output	<i>min</i>	1.000 mA	
Slave ID (Address)	<i>SLAVE id</i>	247	
Baud rate	<i>baud</i>	9600	
Transmit delay	<i>tr dly</i>	50 ms	
Parity	<i>PAR ity</i>	Even	
Byte-to-byte timeout	<i>t-byt</i>	010 (0.1 sec)	
F1 function key	<i>F 1</i>	Reset max & min	
F2 function key	<i>F 2</i>	Upper display: Max (Hi)	
F3 function key	<i>F 3</i>	Acknowledge relays	
F4 function	<i>F 4</i>	Acknowledge relays	
Digital input 1	<i>d i 1</i>	Menu	
Digital input 2	<i>d i 2</i>	Right arrow	
Digital input 3	<i>d i 3</i>	Up arrow	
Digital input 4	<i>d i 4</i>	Enter	
Digital output 1	<i>dO 1</i>	Alarm 1	
Digital output 2	<i>dO 2</i>	Alarm 2	
Digital output 3	<i>dO 3</i>	Alarm 3	
Digital output 4	<i>dO 4</i>	Alarm 4	
Password 1	<i>PASS 1</i>	000000 (unlocked)	
Password 2	<i>PASS 2</i>	000000 (unlocked)	
Password 3	<i>PASS 3</i>	000000 (unlocked)	
Total password	<i>total</i>	000000 (unlocked)	
Grand total password	<i>Grand total</i>	000000 (unlocked)	

Troubleshooting Tips

Symptom	Check/Action
No display at all	Check power at power connector
Not able to change setup or programming, <i>Lacd</i> is displayed	Meter is password-protected, enter correct six-digit password to unlock
Meter displays error message during calibration (<i>Error</i>)	Check: 1. Signal connections 2. Minimum input span requirements
Meter displays 999999 -999999	Check: 1. Input selected in <i>Setup</i> menu 2. Corresponding signal at Signal connector
Display is unstable	Check: 1. Input signal stability and value 2. Display scaling vs. input signal 3. Filter and gate values
Display response is too slow	Check filter and gate values
Display reading is not accurate	Check: Scaling or calibration
Display does not respond to input changes, reading a fixed number	Check: Display assignment, it might be displaying max, min, or set point.
Display alternates between 1. <i>H</i> and a number 2. <i>L</i> and a number	Press Menu to exit max/min display readings.
Relay operation is reversed	Check: 1. Fail-safe in <i>Setup</i> menu 2. Wiring of relay contacts
Relay and status LED do not respond to signal	Check: 1. Relay action in <i>Setup</i> menu 2. Set and reset points
Flashing relay status LEDs	Relays in manual control mode or relay interlock switches opened.
Meter not communicating with application programs	Check: 1. Serial adapter and cable 2. Serial settings 3. Meter Slave ID and baud rate
If the display locks up or the meter does not respond at all	Cycle the power to reboot the microprocessor.
Other symptoms not described above	Call Technical Support for assistance.

Note: Certain sequences of events can cause unexpected results. To solve these issues, it is best to start fresh from factory defaults and map changes ahead of time, rather than at random.

Alphabetical List of Display Functions & Messages

Display	Parameter	Action/Setting Description
20 mA	20 mA output	Enter mA output value read by milliamp meter with at least 0.001 mA resolution
4 mA	4 mA output	Enter mA output value read by milliamp meter with at least 0.001 mA resolution
999999	Flashing display	Overrange condition
ACK	Acknowledge	Acknowledge relays
Act 1	Action 1	Set relay 1 action
ALARM 1	Alarm 1	Assign digital output to Alarm 1 – 8
ALTERNATE	Alternate	Set relay for alternation control (relays assigned to rate)
AM	Auto-manual	Set relay for automatic & manual reset any time
ANALOG	Analog output	Analog output scaling
ANALOG Pr	Analog output programming	Analog output programming
AS 1	Assign 1	Relay 1 assignment
ASSIGN	Assignment	Assign relays to rate, total, or grand total
AUTO	Automatic	Press Enter to set meter for automatic operation
AUTO	Automatic	For automatic reset
BAUD	Baud rate	Select baud rate
UD	Upper display	Press Enter to assign the Upper display parameter (default: PV or rate)
UD HI	Max on Upper display	Assign digital input to display max on the Upper display
UD HL	Max/min Upper display	Assign digital input to toggle max/min on the Upper display
UD LO	Min on Upper display	Assign the digital input to display min on the Upper display
CAL	Calibrate	Enter the <i>Calibrate</i> menu

Display	Parameter	Action/Setting Description
CLIB	Calibrate	Calibrate 4-20 mA output (internal reference source used for scaling the output)
Control	Control	Enter Control menu
Copy	Copy	Enter copy function
Count	Count	Set total and grand total count direction
Cutoff	Cutoff	Cutoff value
dHi	Display high	Select to display the max
dHL	Display H&L	Select to display the max & min toggling
dHold	Display hold	Display hold
dLo	Display low	Select to display the min
d r-u	Display r-u	Select to display rate and units
d units	Display units	Select to display engineering units or label
dec Pt	Decimal point	Set decimal point for rate, total, grand total
DELAY	Delay	Enter relay Time Delay menu
d i 1	Digital input 1	Assign digital input 1-8, if expansion modules are connected
d iRG	Diagnostics	Display parameter settings
d- IntY	Display intensity	Set display intensity level from 1 to 8
d i5 1	Display 1	Program display 1 value
d i5 2	Display 2	Program display 2 value
d i5RbL		Disable function key
dLY 1	Delay 1	Enter relay 1 time delay setup
dO 1	Digital output 1	Assign digital output 1 – 8, if expansion modules are connected
done	Done	Copy function completed
dSEt 1	Display set 1	Select to display set point 1 (1-8)
dSPRAY	Display	Enter the Display menu

Display	Parameter	Action/Setting Description
Enter	Enter	Assign digital input to Enter button/F3
Error	Error	Error, calibration not successful, check signal or programmed value
Force 1	Force On 1	Force relay 1 on using digital input (1-8)
F1	F1 function key	Assign F1 function key
F2	F2 function key	Assign F2 function key
F3	F3 function key	Assign F3 function key
F4	F4 function	Assign F4 function (digital input)
K-factor	K-factor Scaling	Programs unit to convert input pulse to rate in engineering units
Fail-Safe	Fail-safe	Enter Fail-safe menu
Filter	Filter	Set noise filter value
Fail-safe 1	Fail-safe 1	Set relay 1 fail-safe operation
Force	Force	Force analog output value for loop break
Function	Function	Select linear only, other functions are not applicable
Grand total	Grand total	Assign relay to grand total
Grand total conversion factor	Grand total conversion factor	Program grand total conversion factor
Grand total reset	Grand total reset	Program grand total rest mode: auto or manual
Grand total time base	Grand total time base	Program grand total time base
Grand Total Count	Grand Total Count	Set grand total to count up or down
Grand total password	Grand total password	Set or enter password for manual reset
Info	Information	Display software and S/N information
Input Calibration	Input Calibration	Enter the Input Calibration menu
Input 1	Input 1	Calibrate input 1 signal or program input 1 value

Display	Parameter	Action/Setting Description
<i>inP 2</i>	<i>Input 2</i>	Calibrate input 2 signal or program input 2 value (up to 32 points)
<i>inPUL</i>	<i>Input</i>	Input selection
<i>LRLCH</i>	<i>Latching</i>	Set relay for latching operation (relays assigned to rate)
<i>LED t</i>	<i>LED test</i>	Test all LEDs
<i>LENLth</i>	<i>Length</i>	Not applicable
<i>L inERR</i>	<i>Linear</i>	Set meter for linear function and select number of linearization points
<i>L t GL</i>	<i>Grand total on Lower display</i>	Assign the digital input to display the grand total on the Lower display
<i>L t H L</i>	<i>Max on Lower display</i>	Assign digital input to display max on the lower display
<i>L t HL</i>	<i>Max/min Lower display</i>	Assign the digital input to toggle max/min on the lower display
<i>L t Lo</i>	<i>Min on Lower display</i>	Assign digital input to display min on the lower display
<i>L tLE</i>	<i>Lower display</i>	To assign the lower display parameters
<i>Locd</i>	<i>Locked</i>	Enter password to unlock meter
<i>LE-CLR</i>	<i>Latching-cleared</i>	Set relay for latching operation with manual reset only after alarm condition has cleared (relays assigned to rate)
<i>nn Rn</i>	<i>Manual</i>	To manually control
<i>nn RH</i>	<i>Maximum</i>	Program maximum mA output allowed
<i>nn bUS</i>	<i>Modbus</i>	Select to display Modbus input or to assign Modbus input as the analog output source
<i>nn Enu</i>	<i>Menu button</i>	Assign digital input to Menu button
<i>nn n</i>	<i>Minimum</i>	Program minimum mA output allowed
<i>no PLS</i>	<i>Number of points</i>	Set meter for 2 to 32-point linearization
<i>nonr St</i>	<i>Non-resettable</i>	Non-resettable grand total set after entering "050873" for Gtotal password
<i>U Hold</i>	<i>Relays output hold</i>	Assign digital input to hold all relays state

Display	Parameter	Action/Setting Description
OFF	Off	Disable relay and front panel status LED, turn relays off, program off time delay
OFF 1	Off	Disable relay and front panel status LED, turn relays off, program off time delay
On	On	Enable fail-safe operation, turn relays on, program on time delay
On 1	On	Set relay 1 On time delay
Overrange	Overrange	Program mA output for display overrange
Output 1	Output 1	Program output 1 value (e.g. 4.000 mA)
Output 2	Output 2	Program output 2 value (e.g. 20.000 mA)
PASS	Password	Enter the Password menu
PASS 1	Password 1	Set or enter Password 1
PASS 2	Password 2	Set or enter Password 2
PASS 3	Password 3	Set or enter Password 3
Program	Program	Enter the Program menu
Program E	Programmable exponent	Set meter for programmable exponent and enter exponent value
Rate	Rate	Assign relay to rate
Relay	Relay	Enter the Relay menu
Reset	Reset	To access the Reset menu
Right arrow	Right arrow	Assign digital input to Right arrow button/F1
Relay 1	Relay 1	Relay 1 setup
Relay 2	Relay 2	Relays 2-8 setup <i>Note: Relays 5-8 are shown, only if expansion relay module is installed.</i>
Relay d	Disable relay	Assign digital input to disable all relays
Relay E	Enable relay	Assign digital input to enable all relays
Reset 1	Reset 1	Program reset point 1
Reset grand total	Reset grand total	To reset grand total

Display	Parameter	Action/Setting Description
rSE Hi	Reset high	Press Enter to reset max display
rSE HL	Reset high & low	Press Enter to reset max & min displays
rSE Lo	Reset low	Press Enter to reset min display
rSE t	Reset total	Reset total
SRnPL	Sampling	Set relay for sampling operation
SCALE	Scale	Enter the Scale menu
SElect	Select	Enter the Select menu (function, cutoff, output)
SEnd	Send	Send meter settings to another meter
SEr iAL	Serial	Set serial communication parameters
SEt 1	Set 1	Program set point 1
SEtUP	Setup	Enter Setup menu
SLAU id	Slave ID	Set Slave ID or meter address
Source	Source	Select source for the 4-20 mA output
t CF	Total conversion factor	Program total conversion factor
t dLY	Time delay	Program time delay for total auto reset
t rSE	Total reset	Program total rest mode: auto or manual
t tb	Total time base	Program total time base
t oE C	Total Count	Set total to count up or down
t oERL	Total	Enable or disable totalizer features
t r dLY	Transmit delay	Set transmit delay for serial communication
u n iS	Units	Select the display units/tags
u nLoc	Unlocked	Program password to lock meter
uP	Up arrow	Assign digital input to up arrow button/F2
u-rRnG	Underrange	Program mA output for display underrange
uSEr	User I/O	Assign function keys and digital I/O

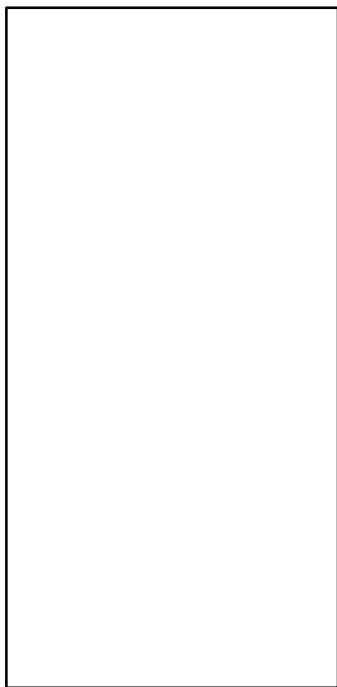


Figure 21: 1/8 DIN Panel Cutout Template

Intentionally
Left Blank

LIM6300DW_D | SFT039 Ver 3.100 & up | 08/12

DWYER INSTRUMENTS, INC.
PO Box 373 • Michigan City IN 46360 USA

Phone: (800) 872-9141
Fax: (219) 872-9057
www.dwyer-inst.com