

PFMN

Fully welded pressure transmitter with flush membrane and touch screen

PFMN-##.####.#####.#####.####

Overview

- Programmable by touch screen
- Cavity-free process connection
- Resistant to all conventional CIP cleaning media
- Compact installation from G 1/2 A
- Optionally available with relay outputs
- Absolute pressure, relative pressure and vacuum measurement
- Easy and full programmable with FlexProgrammer 9701



Technical data

Performance characteristics

Pressure type	Absolute Relative (gauged)
Compensated temperature range	-40 ... 85 °C
Long term stability	≤ 0.1 % FSR/a , IEC 770 6.3.2
Max. measuring error	± 0.1 % FSR , up to 2:1 turndown ratio ± 0.25 % FSR , up to 4:1 turndown ratio Including zero-point and span error, non-linearity (by terminal base line), hysteresis and non-repeatability (EN 61298-2) For turndown, multiply this value by the applied turndown ratio
Max. measuring span	401 bar
Max. turndown ratio	10 : 1
Measuring range	-1 ... 400 bar
Standard error of measurement (BFSL)	0.04 % FSR , up to 2:1 turndown ratio 0.1 % FSR , up to 4:1 turndown ratio Including non-linearity, hysteresis and non-repeatability according BFSL For turndown, multiply this value by the applied turndown ratio
Min. measuring span	0.05 bar
Power-up time	< 10 s
Rise time (10 ... 90 %)	≤ 0.3 s
Sample time	≤ 0.3 s
Temperature coefficient	≤ 0.05 % FSR/10 K , measuring span ≤ 0.05 % FSR/10 K , zero point

Process conditions

Process temperature	-40 ... 125 °C , without cooling neck -40 ... 200 °C , with cooling neck
Process pressure	Refer to section "Operating conditions"

Process conditions

SIP/CIP compatibility	< 60 min, without cooling neck @ medium temperature up to 150 °C Permanent, with cooling neck @ medium temperature up to 200 °C
-----------------------	--

Process connection

Connection variants	Refer to section "Dimensional drawings"
Wetted parts material, process connection	AISI 316L (1.4404)
Wetted parts material, membrane	AISI 316L (1.4435)

Ambient conditions

Operating temperature range	-40 ... 85 °C
Storage temperature range	-40 ... 85 °C
Degree of protection (EN 60529)	IP 67 , with cable gland IP 69K , with connector M12
Humidity	< 98 % RH , condensing
Vibration	DNV high vibration strain, class B
Vibration (sinusoidal) (EN 60068-2-6)	1.6 mm p-p (2 ... 25 Hz), 4 g (25 ... 100 Hz), 1 octave / min.

Output signal

Current output	4 ... 20 mA 4 ... 20 mA , + HART® 20 ... 4 mA , programmable
Load resistance	RQ = (Usupply - 10 V)/20 mA
Insulation resistance	> 100 MΩ , 500 V DC
Sensor failure	20 ... 23 mA , programmable 3.6 ... 4 mA , programmable

Housing

Style	Bottom process connection Rear process connection
Overall size	Refer to section "Dimensional drawings"
Material	AISI 304 (1.4301)

PFMN

Fully welded pressure transmitter with flush membrane and touch screen

PFMN-##.####.#####.#####.####

Technical data

Electrical connection

Connector	M12-A, 5-pin, stainless steel M12-A, 8-pin, stainless steel
Cable gland	M16x1.5, plastic M16x1.5, stainless steel M20x1.5, plastic M20x1.5, stainless steel

Power supply

Voltage supply range	10 ... 35 V DC
----------------------	----------------

ATEX II 1G Ex ia IIC T5

Maximum values for barrier selection, Ui	30 V DC, max.
Maximum values for barrier selection, Ii	100 mA
Maximum values for barrier selection, Pi	750 mW

ATEX II 1G Ex ia IIC T5

Internal capacitance, Ci	< 15 nF
Internal inductance, Li	< 10 µH
Temperature class, T1 ... T5	-20 < Tamb < 60 Zone 0 and 20 -40 < Tamb < 65 Zone 1/2 and 21/22

ATEX II 3G Ex nA IIC T5

Voltage supply range	10 ... 35 V DC
Current rating, In	100 mA
Temperature class, T1 ... T5	-30 < Tamb < 65 °C

Compliance and approvals

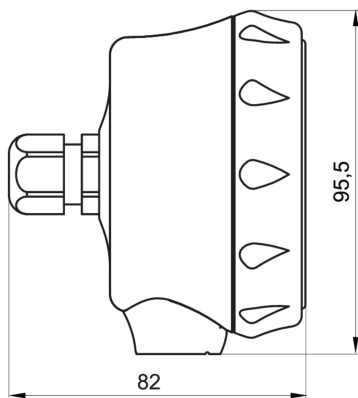
EMC	EN 61000-6-2 EN 61000-6-3
Explosion protection	ATEX II 1G Ex ia IIC T5 ATEX II 3G Ex nA IIC T5 ATEX II 1D Ex ia IIIC T100 °C Da

Operating conditions

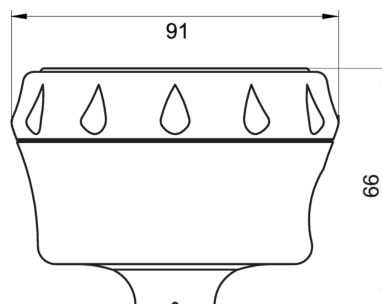
Measuring range (bar)	Proof pressure (bar)	Burst Pressure (bar)
0 ... 0.345	1	2
-1 ... 1	3	6
-1 ... 5	15	30
-1 ... 20	60	120
-1 ... 34	70	140
-1 ... 68	135	270
-1 ... 400	690	1350

Dimensional drawings

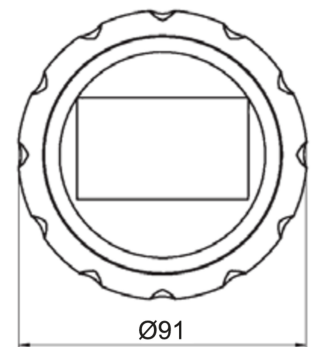
Housing



FlexHousing with bottom process connection



FlexHousing with rear process connection



Front view

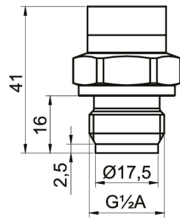
PFMN

Fully welded pressure transmitter with flush membrane and touch screen

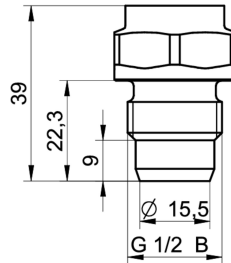
PFMN-##.####.#####.#####.####

Dimensional drawings

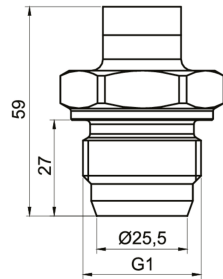
Process connection



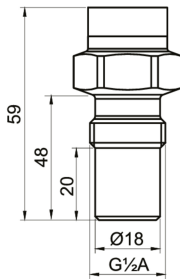
G 1/2 A DIN 3852-E (BCID: G51)



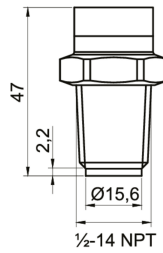
G 1/2 A ISO 228-1 with cone (BCID: G08)



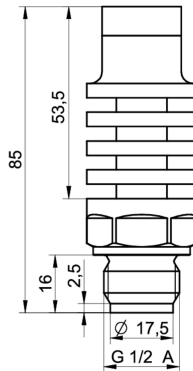
G 1 A hygienic (BCID: A04)



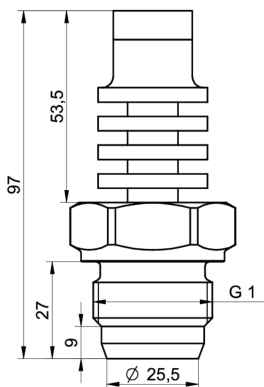
G 1/2 A hygienic (BCID: A03)



1/2-14 NPT (BCID: N02)



G 1/2 A DIN 3852-E with cooling neck (BCID: G51)



G 1 A hygienic with cooling neck (BCID: A04)

PFMN

Fully welded pressure transmitter with flush membrane and touch screen

PFMN-##.####.#####.#####.####

Electrical connection

Equivalent circuit	Electrical connection	Function	Pin assignment
		+Vs Iout	+ -
		+Vs Iout R1 R2 R1 + R2	1 3 5 4 2
		+Vs Iout R1 R2 n.c.	2 7 5, 6 3, 4 1, 8
		+Vs Iout R1 R2 n.c.	+ - 5, 6 3, 4 1, 2

Ordering information

Ordering key - Configuration possibilities see website

	PFMN	-	#	#	.	###	#	.	##	##	#	.	##	2	#	#	.	#	#	0	#	####
Product	PFMN																					
Housing																						
Stainless steel 1.4301 / AISI304 Bottom connection				5																		
Stainless steel 1.4301 / AISI304 Rear connection				6																		
Accuracy																						
±0.25 % FS						4																
±0.10 % FS						5																
Pressure range and unit																						
Min. 0.0 / Max 0.345 Bar (not vacuum or absolute)																						BC1
Min. -1.0 / Max 1.0 Bar(0...1 bar abs)																						BC2
Min. -1.0 / Max 5.0 Bar (0...5 bar abs)																						BC3
Min. -1.0 / Max 20.0 Bar (0...20 bar abs)																						BC4
Min. -1.0 / Max 34.0 Bar (0...34 bar abs)																						BC5
Min. -1.0 / Max 68.0 Bar (0...68 bar abs)																						BC6
Min. -1.0 / Max 400.0 Bar (0...400 bar abs)																						BC7
Kind of pressure																						
Relative (gauged)																						R
Absolute																						A
Output signal																						
4...20 mA																						A1
4...20 mA + HART®																						C1

PFMN

Fully welded pressure transmitter with flush membrane and touch screen

PFMN-##.####.#####.#####.####

Ordering information

Ordering key - Configuration possibilities see website

	PFMN	-	#	#	.	###	#	.	##	##	#	.	##	2	#	#	.	#	#	0	#	####
Output Connection																						
M12-A, 5-pin																						15
M12-A, 8-pin																						18
Cable gland, M16x1.5																						55
Cable gland, M20x1.5																						57
Material of el. connection																						
Plastic																						1
Stainless steel, AISI 304 (1.4301)																						3
Process connection																						
G 1/2 A DIN 3852-E (G51)																						41
G 1/2 A ISO 228-1 with cone (G08)																						42
G 1 A hygienic (A04)																						44
G1/2A hygienic (A03)																						48
½-14 NPT (N02)																						49
G 1/2 A DIN 3852-E with cooling neck (G51)																						71
G 1 A hygienic with cooling neck (A04)																						74
Wetted parts material																						
Stainless steel 1.4404 / AISI 316L																						2
Seal																						
None																						0
NBR standard																						1
EPDM																						2
FKM (Viton®)																						3
Oil filling																						
Standard oil																						1
NSF H1 listed (FDA approved)																						2
Display																						
Without display																						1
With display, no relays activated																						2
With display, with activated relays																						4
ATEX																						
Standard safety																						0
Ex nA II T5 (Gas)																						3
Ex ia IIC T5 Ga or Ex ia IIIC T100°C Da (Gas or Dust)																						5
Approvals																						
Standard approvals																						0
Configuration																						
No configuration																						0
Configuration of range																						1
Configuration of range + display																						2
Configuration of range + display incl. 2 relays																						3
Option Surface																						
Surface Ra < 0,4 µm																						9059
Surface electropolished																						9060
not selected																						&